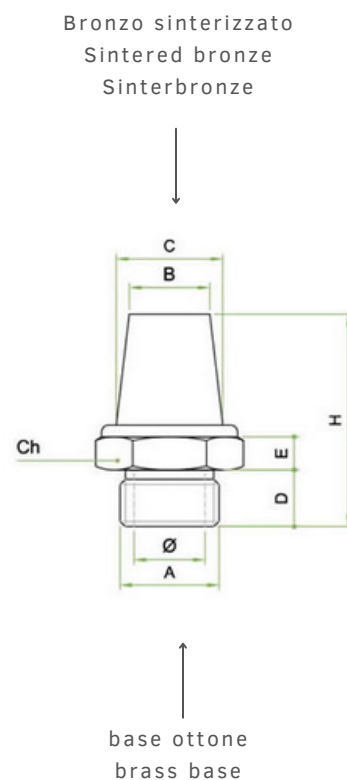


Silenziatore conico in bronzo sferico sinterizzato ribattuto su base  
esagonale ottone  
Filettatura NPT



Codice	Articolo	A	Diam	B	C	D	E	H	Ch
121/NPT	SEB/C 1/8 NPT	1/8"	6,0	8,0	8,5	7.4	4,0	26,0	13,0
122/NPT	SEB/C 1/4 NPT	1/4"	8,5	9,0	10,5	10.9	5,0	34,0	16,0
123/NPT	SEB/C 3/8 NPT	3/8"	11,5	12,0	13,0	10.9	5,0	41,0	19,0
124/NPT	SEB/C 1/2 NPT	1/2"	15,0	16,0	18,0	13.6	6,0	46,0	24,0
125/NPT	SEB/C 3/4 NPT	3/4"	20,0	21,0	25,5	13.6	6,0	56,0	30,0
126/NPT	SEB/C 1 NPT	1"	26,0	26,5	30,5	15.6	6,0	66,0	36,0

Unità di misura espressa in millimetri.