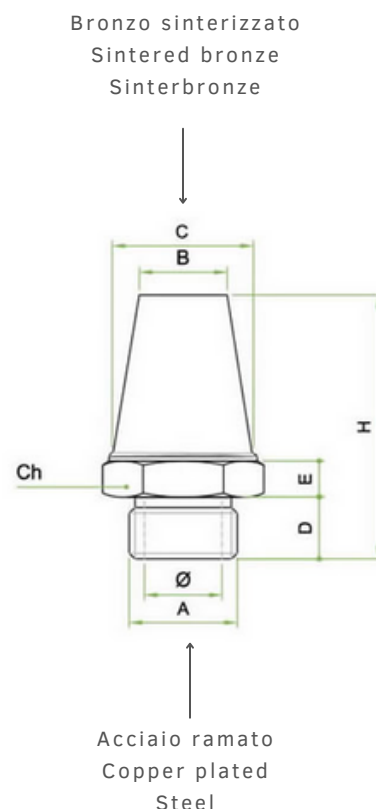


Silenziatore conico in bronzo sferico sinterizzato su base esagonale in acciaio ramato.
Filettatura GAS-BSP



Tipologia	Codice	Articolo	A	Ø	B	C	D	E	H	CH
SEB	1011	SEB M 5	M5	2,8	4,5	5,5	3,5	4,0	17,0	7,0
SEB	1012	SEB 1/8	1/8"	7,0	8,5	10,5	4,5	3,8	21,0	12,0
SEB	1013	SEB 1/4	1/4"	9,5	11,0	12,5	6,0	4,5	27,0	15,0
SEB	1014	SEB 3/8	3/8"	12,0	14,0	17,0	7,0	5,4	35,0	19,0
SEB	1015	SEB 1/2	1/2"	15,5	17,0	20,5	8,0	6,0	41,5	23,0
SEB	1016	SEB 3/4	3/4"	19,5	21,0	26,5	9,0	7,5	54,0	30,0
SEB	1017	SEB 1	1"	26,0	26,5	33,0	11,0	9,0	66,0	36,0

Unità di misura espressa in millimetri.