



I silenziatori della Sinterfiltri sono fabbricati con polveri di bronzo, plastica, inox sinterizzate su basi di acciaio ramato, ottone o plastica.

Sono certificati dal laboratorio del Politecnico di Torino.

La qualità è garantita dal controllo sistematico sia delle materie prime che di tutte le fasi di lavorazione, particolare attenzione viene riservata ai controlli sul prodotto finito.

## **ESPERIENZA E TECNOLOGIA CERTIFICATA UNI EN ISO 9001:2015**

### **LA NOSTRA STORIA**

Sinterfiltri nasce a Torino per intuizione del suo fondatore alla fine degli anni '60.

La decisione di investire, per aggiungere nella sua officina meccanica le attrezzature necessarie alla produzione di parti sinterizzate per il settore auto, è legata all'obbiettivo di soddisfare le richieste, in quegli anni sempre più crescente, di produzione di filtri in bronzo sinterizzati.

Negli anni '80, si stabilizza nell'attuale sede di Torino, in Strada del Cascinotto 248, occupando una superficie totale di 2.200 mq di cui 1.600 mq coperti.

Sinterfiltri in quegli anni compie un importante passo in avanti organizzando in maniera più efficace le risorse produttive, le risorse umane, selezionate sulla base di capacità e attitudine allo sviluppo e alla gestione del proprio ciclo di lavoro, introducendo nuovi macchinari e attrezzature per la creazione degli stampi e per garantire la produzione continua di filtri speciali e silenziatori di scarico sinterizzati, utilizzando polveri di bronzo sferico e acciaio INOX.

L'avvento dei materiali plastici nell'utilizzo della produzione dei filtri avviene verso la fine degli anni '90, quando Sinterfiltri riversa le sue conoscenze specifiche per attivare la produzione di filtri in materiale plastico poroso. I componenti ottenuti tramite la sinterizzazione del polietilene, permettono di ottenere una efficiente filtrazione dei fluidi sia liquidi che gassosi

### **IL MERCATO NAZIONALE E ESTERO**

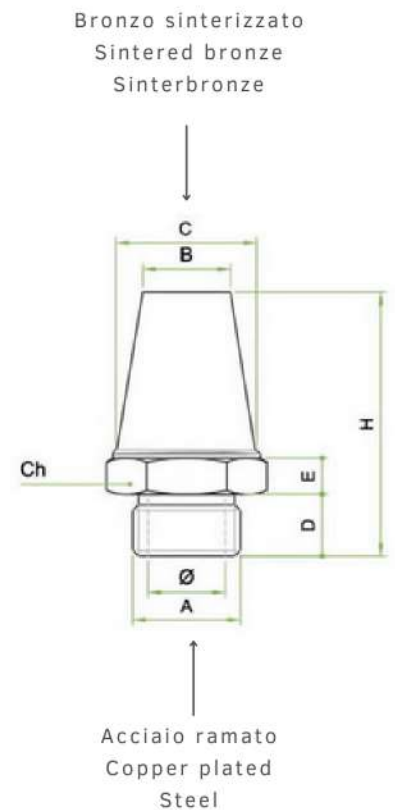
Negli anni il mercato e il portafoglio clienti di Sinterfiltri diviene sempre più importante e, grazie alle prime partecipazioni a fiere nazionali di settore, i clienti sono presenti su tutto il territorio italiano e estero.

Dalla sua fondazione ad oggi la Sinterfiltri è stata in costante espansione nella produzione di filtri sinterizzati, passando da micro a piccola impresa, organizzata e strutturata per competere alla leadership del settore ed espandersi attraverso l'aggiunta di una gamma completa di soluzioni differenziate per soddisfare le esigenze dei clienti.

### **OGGI COSA FACCIAMO:**

- filtri e silenziatori per automazione "standard" in plastica e in bronzo sinterizzato
- filtri a disegno in bronzo
- filtri a disegno in plastica
- filtri a disegno in acciaio inossidabile
- silenziatori in acciaio inox
- piastre di massa

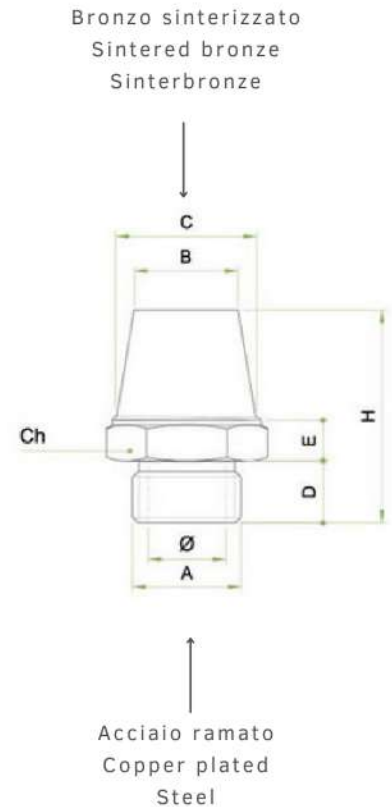
Silenziatore SEB conico in bronzo sferico sinterizzato su base esagonale in acciaio ramato. Filettatura GAS-BSP



Codice	Articolo	A	Diam	B	C	D	E	H	Ch
1011	SEB M 5	M5	2,8	4,5	5,5	3,5	4,0	17,0	7,0
1012	SEB 1/8	1/8"	7,0	8,5	10,5	4,5	3,8	21,0	12,0
1013	SEB 1/4	1/4"	9,5	11,0	12,5	6,0	4,5	27,0	15,0
1014	SEB 3/8	3/8"	12,0	14,0	17,0	7,0	5,4	35,0	19,0
1015	SEB 1/2	1/2"	15,5	17,0	20,5	8,0	6,0	41,5	23,0
1016	SEB 3/4	3/4"	19,5	21,0	26,5	9,0	7,5	54,0	30,0
1017	SEB 1	1"	26,0	26,5	33,0	11,0	9,0	66,0	36,0

Unità di misura espressa in millimetri.

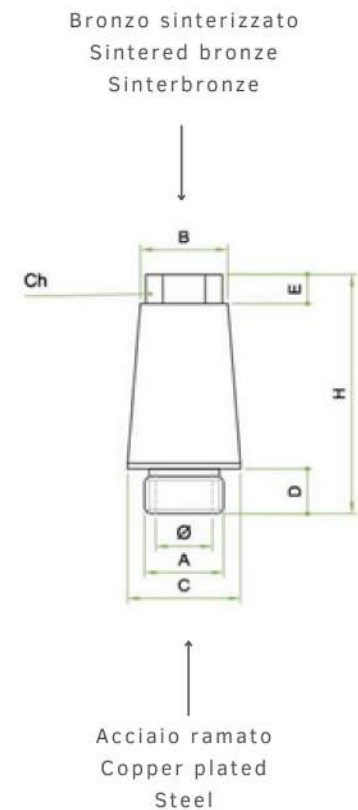
Silenziatore STE tronco cono in bronzo sferico sinterizzato su base esagonale in acciaio ramato. Filettatura GAS-BSP



Codice	Articolo	A	Diam	B	C	D	E	H	Ch
1401	STE 1/8	1/8"	7,0	10,0	10,5	4,5	3,8	15,0	12,0
1402	STE 1/4	1/4"	9,5	12,0	12,5	6,0	4,5	19,0	15,0
1403	STE 3/8	3/8"	12,0	16,0	17,0	7,0	5,4	26,0	19,0
1404	STE 1/2	1/2"	15,5	19,0	20,5	8,0	6,0	29,0	23,0
1405	STE 3/4	3/4"	19,5	24,0	26,5	9,0	7,5	33,0	30,0
1406	STE 1	1"	26,0	30,0	33,0	11,0	9,0	44,0	36,0

Unità di misura espressa in millimetri.

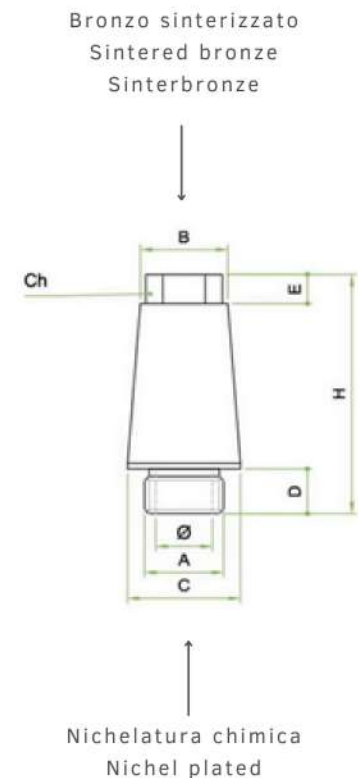
Silenziatore SET con testa esagonale in bronzo sinterizzato su base circolare in acciaio ramato. Filettatura GAS-BSP



Codice	Articolo	A	Diam	B	C	D	E	H	Ch
1360	SET M 5	M5	2,5	7,5	8,5	5,0	-	19,5	-
1361	SET 1/8	1/8"	7,0	9,8	11,5	4,5	3,0	22,5	8,0
1362	SET 1/4	1/4"	9,5	12,5	15,0	6,0	4,0	28,0	10,0
1363	SET 3/8	3/8"	13,0	16,0	19,0	7,0	5,0	36,0	13,0
1364	SET 1/2	1/2"	16,0	19,0	23,0	8,0	6,0	44,0	15,0
1365	SET 3/4	3/4"	22,0	24,5	30,0	9,0	6,0	56,0	19,0
1366	SET 1	1"	28,0	30,0	37,0	11,0	7,0	69,0	24,0

Unità di misura espressa in millimetri.

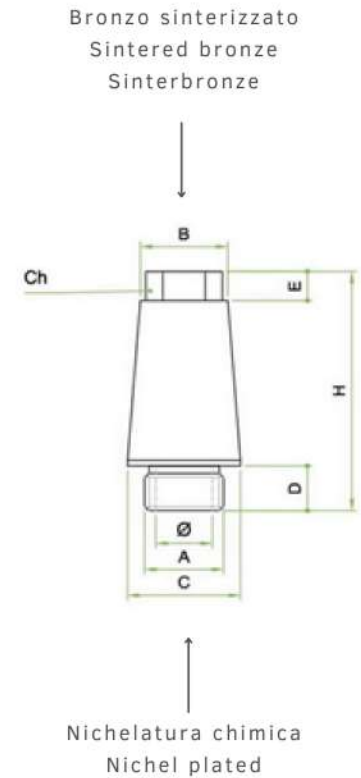
Silenziatore SET NC con testa esagonale in bronzo sinterizzato su base circolare in acciaio con nichelatura chimica. Filettatura GAS-BSP



Codice	Articolo	A	Diam	B	C	D	E	H	Ch
6000	SET NC 1/8	1/8"	7,0	9,8	11,5	4,5	4,0	22,5	8,0
6001	SET NC 1/4	1/4"	9,5	12,5	15,0	6,0	4,0	28,0	10,0
6002	SET NC 3/8	3/8"	13,0	16,0	19,0	7,0	5,0	36,0	13,0
6003	SET NC 1/2	1/2"	16,0	19,0	23,0	8,0	6,0	44,0	15,0
6004	SET NC 3/4	3/4"	22,0	24,5	30,0	9,0	6,0	56,0	19,0
6005	SET NC 1	1"	28,0	30,0	37,0	11,0	7,0	69,0	24,0
6006	SET NC M5	M5	2,50	7,50	8,50	5,0	-	19,50	-
6007	SET NC 10 X 1	10 X 1	7,0	9,8	11,5	4,5	4,0	22,5	8,0
6008	SET NC 12 X 1,5	12 X 1,5	8,0	12,5	15,0	6,0	4,0	28,0	10

Unità di misura espressa in millimetri.

Silenziatore SET NC NPT con testa esagonale in bronzo sferico sinterizzato su base circolare in acciaio con nichelatura chimica. Filettatura NPT



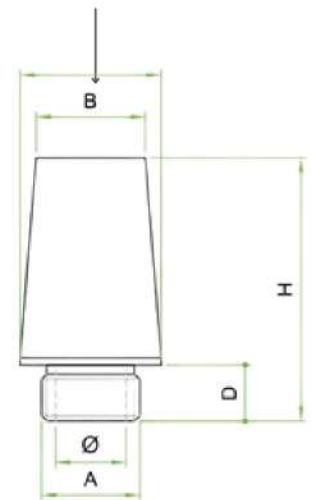
Codice	Articolo	A	Diam	B	C	D	E	H	Ch
6100	SET/NC 1/8 NPT	1/8"	7,0	9,8	11,5	4,5	4,0	22,5	8,0
6101	SET/NC 1/4 NPT	1/4"	9,5	12,5	15,0	6,0	4,0	28,0	10,0
6102	SET/NC 3/8 NPT	3/8"	12,5	16,0	19,0	9,0	5,0	38,0	13,0
6103	SET/NC 1/2 NPT	1/2"	15,5	19,5	23,0	11,0	6,5	46,0	15,0

Unità di misura espressa in millimetri.

Silenziatore SC in bronzo sferizzato sinterizzato su base circolare in acciaio ramato. Filettatura GAS-BSP



Bronzo sinterizzato  
Sintered bronze  
Sinterbronze



Acciaio ramato  
Copper plated  
Steel

Codice	Articolo	A	Diam	B	C	D	E	H
184	SC 1/8	1/8"	7,0	9,0	11,5	4,5	4,0	21,0
185	SC 1/4	1/4"	9,5	12,5	15,0	6,0	4,0	25,0
186	SC 3/8	3/8"	13,0	15,5	19,0	7,0	5,0	34,5
187	SC 1/2	1/2"	16,0	18,5	23,0	8,0	6,0	43,0
188	SC 3/4	3/4"	22,0	24,5	30,0	9,0	6,0	50,0
189	SC 1	1"	28,0	31,0	37,0	11,0	7,0	60,5

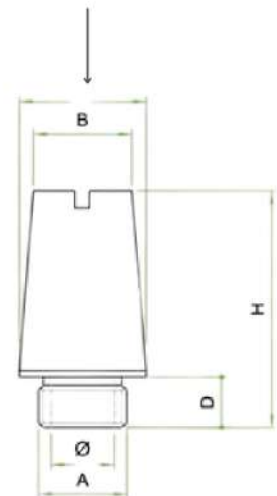
Unità di misura espressa in millimetri.



Silenziatore SCC con taglio cacciavite in bronzo sferico sinterizzato in acciaio ramato. Filettatura GAS-BSP



Bronzo sinterizzato  
Sintered bronze  
Sinterbronze

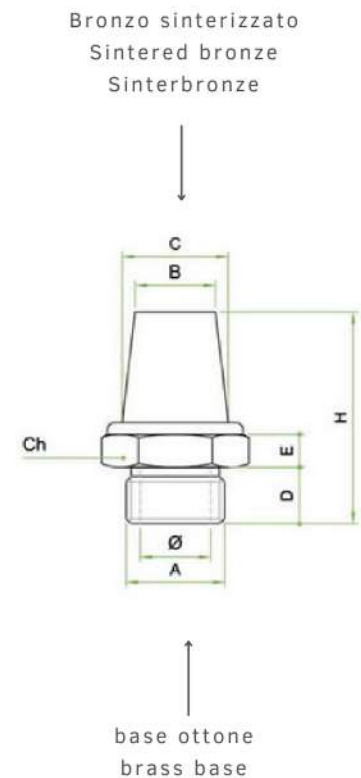


Acciaio ramato  
Copper plated  
Steel

Codice	Articolo	A	Diam	B	C	D	H
190	SCC 1/8	1/8"	7,0	9,0	11,5	4,5	22,0
191	SCC 1/4	1/4"	9,5	12,5	15,0	6,0	26,0
192	SCC 3/8	3/8"	13,0	15,5	19,0	7,0	34,5
193	SCC 1/2	1/2"	16,0	18,5	23,0	8,0	43,0
194	SCC 3/4	3/4"	22,0	24,5	30,0	9,0	50,0
195	SCC 1	1"	28,0	31,0	37,0	11,0	60,5

Unità di misura espressa in millimetri.

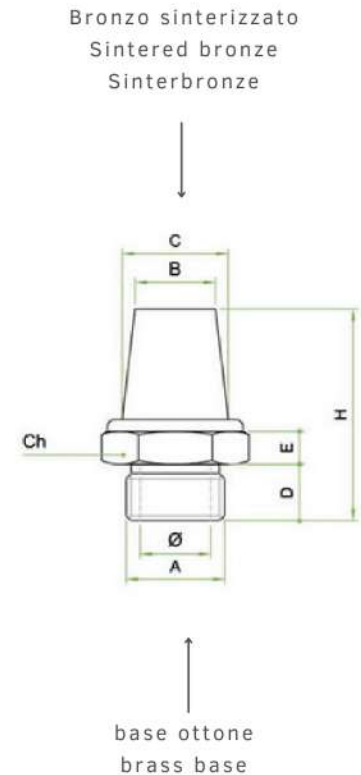
Silenziatore SEB C conico in bronzo sferico sinterizzato ribattuto su base esagonale ottone. Filettatura GAS-BSP



Codice	Articolo	A	Diam	B	C	D	E	H	Ch
080	SEB/C M6	M6	2,5	3,0	4,0	3,5	3,0	17,0	8,0
119	SEB/C M7	M7	3,0	6,7	7,0	5,0	3,5	23,0	10,0
120	SEB/C M 5	M5	2,5	3,0	4,0	3,5	3,0	17,0	8,0
120/M3	SEB/C M3	M3	1,1	3,5	4,5	5,0	3,0	18,5	8,0
121	SEB/C 1/8	1/8"	6,0	8,0	8,5	6,0	4,0	26,0	13,0
122	SEB/C 1/4	1/4"	8,5	9,0	10,5	8,0	5,0	34,0	16,0
123	SEB/C 3/8	3/8"	11,5	12,0	13,0	8,0	5,0	41,0	19,0
124	SEB/C 1/2	1/2"	15,0	16,0	18,0	10,0	6,0	46,0	24,0
125	SEB/C 3/4	3/4"	20,0	21,0	25,5	10,0	6,0	56,0	30,0
126	SEB/C 1	1"	26,0	26,5	30,5	10,0	6,0	66,0	36,0

Unità di misura espressa in millimetri.

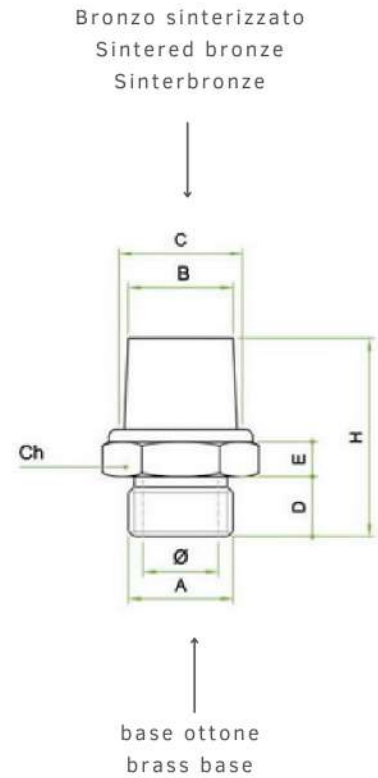
Silenziatore conico in bronzo sferico sinterizzato ribattuto su base esagonale ottone. Filettatura NPT



Codice	Articolo	A	Diam	B	C	D	E	H	Ch
121/NPT	SEB/C 1/8 NPT	1/8"	6,0	8,0	8,5	7,4	4,0	26,0	13,0
122/NPT	SEB/C 1/4 NPT	1/4"	8,5	9,0	10,5	10,9	5,0	34,0	16,0
123/NPT	SEB/C 3/8 NPT	3/8"	11,5	12,0	13,0	10,9	5,0	41,0	19,0
124/NPT	SEB/C 1/2 NPT	1/2"	15,0	16,0	18,0	13,6	6,0	46,0	24,0
125/NPT	SEB/C 3/4 NPT	3/4"	20,0	21,0	25,5	13,6	6,0	56,0	30,0
126/NPT	SEB/C 1 NPT	1"	26,0	26,5	30,5	15,6	6,0	66,0	36,0

Unità di misura espressa in millimetri.

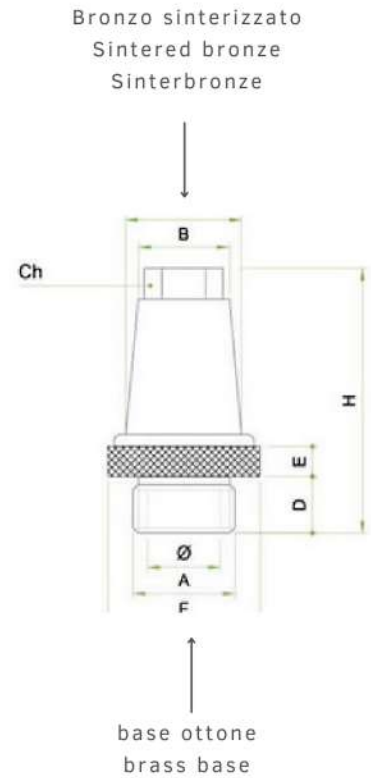
Silenziatore SEM C tronco cono in bronzo sferico sinterizzato su base esagonale ottone. Filettatura GAS-BSP



Codice	Articolo	A	Diam	B	C	D	E	H	Ch
230	SEM / C M 5	M5	2,5	5,0	5,5	4,0	3,0	16,0	8,0
231	SEM / C 1/8	1/8"	6,0	8,0	8,5	6,0	4,0	20,0	13,0
232	SEM / C 1/4	1/4"	8,5	11,0	10,5	8,0	5,0	26,0	16,0
233	SEM / C 3/8	3/8"	11,5	12,5	13,0	8,0	5,0	29,5	19,0
234	SEM / C 1/2	1/2"	15,0	16,0	18,0	10,0	6,0	35,0	24,0
235	SEM / C 3/4	3/4"	20,0	22,0	25,5	10,0	6,0	39,0	30,0
236	SEM / C 1	1"	26,0	29,0	30,5	10,0	6,0	45,0	36,0

Unità di misura espressa in millimetri.

Silenziatore SET C con testa esagonale in bronzo sferico sinterizzato  
ribattuto su base circolare ottone  
Filettatura GAS-BSP



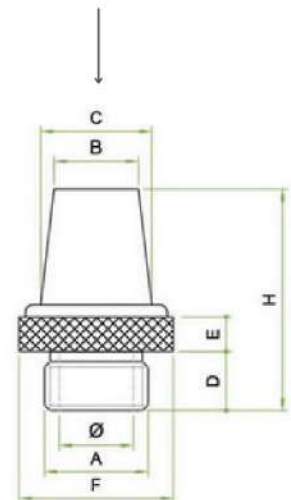
Codice	Articolo	A	Diam	B	C	D	E	F	H	Ch
128	SET/C 1/8	1/8"	6,0	8,5	9,0	7,0	4,0	13,0	27,0	6,0
129	SET/C 1/4	1/4"	8,5	10,0	11,5	8,0	4,5	16,0	30,0	7,0
130	SET/C 3/8	3/8"	11,5	13,0	13,5	8,0	5,0	19,0	40,0	10,0
131	SET/C 1/2	1/2"	15,0	16,0	18,0	10,0	5,0	24,0	46,0	13,0
132	SET/C 3/4	3/4"	20,0	20,5	24,5	10,0	5,0	30,0	54,0	17,0
133	SET/C 1	1"	26,0	27,0	31,0	10,0	6,0	38,0	61,0	22,0

Unità di misura espressa in millimetri.

Silenziatore SBZ conico in bronzo sferico sinterizzato ribattuto su base circolare zigrinata ottone. Filettatura GAS-BSP



Bronzo sinterizzato  
Sintered bronze  
Sinterbronze



base ottone  
brass base

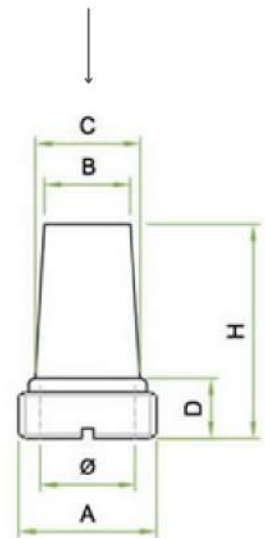
Codice	Articolo	A	Diam	B	C	D	E	F	H
162	SBZ 1/8	1/8"	6,0	8,5	9,0	7,0	4,0	13,0	27,0
163	SBZ 1/4	1/4"	8,5	11,0	11,0	8,0	4,5	16,0	34,0
164	SBZ 3/8	3/8"	11,5	14,0	13,5	8,0	5,0	19,0	41,0
165	SBZ 1/2	1/2"	15,0	17,0	18,0	10,0	5,0	24,0	46,0
166	SBZ 3/4	3/4"	20,0	21,0	25,0	10,0	5,0	30,0	56,0
167	SBZ 1	1"	26,0	26,5	31,0	10,0	6,0	38,0	66,0

Unità di misura espressa in millimetri.

Silenziatore STCC conico in bronzo sferico sinterizzato ribattuto su base ottone con taglio cacciavite. Filettatura GAS-BSP



Bronzo sinterizzato  
Sintered bronze  
Sinterbronze



base ottone  
brass base

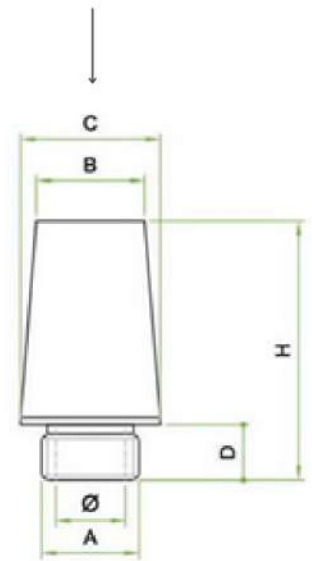
Codice	Articolo	A	Diam	B	C	D	H
208	STCC 1/8	1/8"	5,5	3,5	4,5	5,0	15,0
209	STCC 1/4	1/4"	7,0	4,5	6,0	6,0	18,0
210	STCC 3/8	3/8"	9,5	8,0	9,0	7,0	21,0
211	STCC 1/2	1/2"	12,5	9,5	11,0	8,0	27,0
212	STCC 3/4	3/4"	19,0	16,0	18,0	8,0	36,0
213	STCC 1	1"	24,0	22,0	25,0	10,0	48,0

Unità di misura espressa in millimetri.

Silenziatore SCO conico in bronzo sferico sinterizzato su base circolare in ottone. Filettatura GAS-BSP



Bronzo sinterizzato  
Sintered bronze  
Sinterbronze



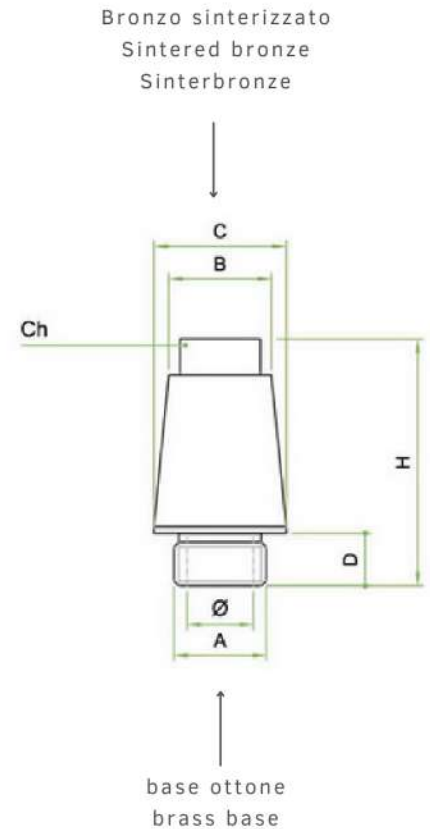
base ottone  
brass base

Codice	Articolo	A	Diam	B	C	D	H
560	SCO M5	M5	2,5	6,0	6,0	4,5	14,0
561	SCO 1/8	1/8"	5,5	8,0	12,0	6,0	22,5
562	SCO 1/4	1/4"	7,5	10,5	15,0	7,5	26,0
563	SCO 3/8	3/8"	10,5	15,0	19,0	8,0	36,0
564	SCO 1/2	1/2"	15,0	17,5	23,0	9,0	43,5
565	SCO 3/4	3/4"	21,0	25,0	29,0	10,0	53,0
566	SCO 1	1"	26,0	30,0	36,0	11,5	65,0

Unità di misura espressa in millimetri.



Silenziatore SCOQ con testa quadra in bronzo sferico sinterizzato su base circolare in ottone. Filettatura GAS-BSP



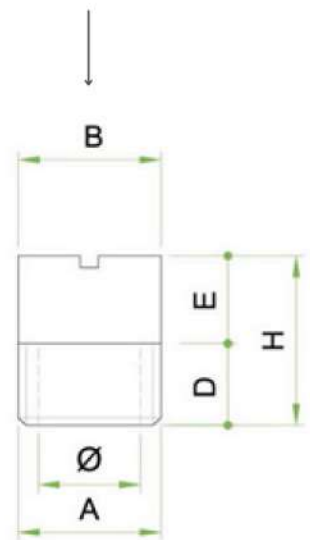
Codice	Articolo	A	Diam	B	C	D	H	Ch
581	SCOQ 1/8	1/8"	5,5	10,0	12,0	6,0	21,0	6,5
582	SCOQ 1/4	1/4"	7,5	11,0	15,0	7,5	28,0	8,0
583	SCOQ 3/8	3/8"	10,5	14,0	19,0	8,0	36,0	10,0
584	SCOQ 1/2	1/2"	15,0	20,0	23,0	9,0	40,5	14,0
585	SCOQ 3/4	3/4"	21,0	26,0	29,0	10,0	50,0	19,0
586	SCOQ 1	1"	26,0	32,0	36,0	11,5	63,0	22,5
587	SCOQ 10 X 1	10 X 1	5,0	10,0	12,0	5,5	21,0	6,5
588	SCOQ 12X 1,5	12 X 1,5	7,5	11,0	15,0	7,0	27,5	8,0

Unità di misura espressa in millimetri.

Silenziatore STT a tappo con taglio cacciavite in testa in bronzo sferico sinterizzato su base filettata in ottone. Filettatura GAS-BSP



Bronzo sinterizzato  
Sintered bronze  
Sinterbronze



base ottone  
brass base

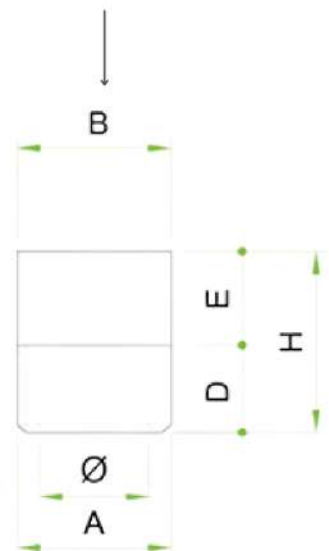
Codice	Articolo	A	Diam	B	D	E	H
400	STT 1/8	1/8"	5,0	9,5	6,0	6,5	12,5
401	STT 1/4	1/4"	8,0	12,5	5,5	8,0	13,5
402	STT 3/8	3/8"	10,0	16,0	7,5	8,5	16,0
403	STT 1/2	1/2"	15,0	20,0	9,5	10,0	19,5
404	STT 3/4	3/4"	20,0	26,0	9,5	13,0	22,5
405	STT 1	1"	25,0	33,0	12,0	12,0	24,0

Unità di misura espressa in millimetri.

Silenziatore ST a tappo in bronzo sferico sinterizzato su base filettata in ottone. Filettatura GAS-BSP



Bronzo sinterizzato  
Sintered bronze  
Sinterbronze

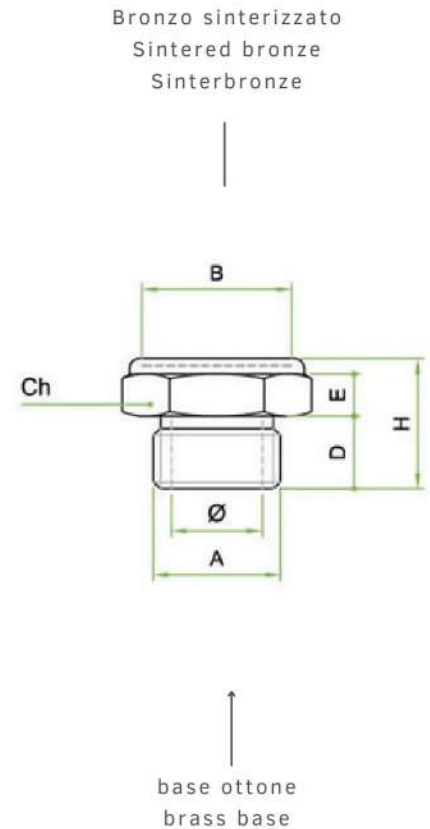


base ottone  
brass base

Codice	Articolo	A	Diam	B	D	E	H
406	ST 1/8	1/8"	5,0	9,5	6,0	6,5	12,5
407	ST 1/4	1/4"	8,0	12,5	5,5	8,0	13,5
408	ST 3/8	3/8"	10,0	16,0	7,5	8,5	16,0
409	ST 1/2	1/2"	15,0	20,0	9,5	10,0	19,5
410	ST 3/4	3/4"	20,0	26,0	9,5	13,0	22,5
411	ST 1	1"	25,0	33,0	12,0	12,0	24,0

Unità di misura espressa in millimetri.

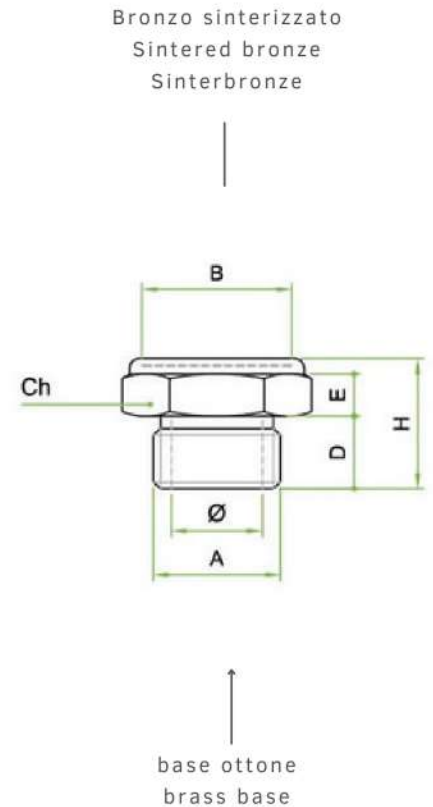
Silenziatore SPE con pastiglia in bronzo sferico sinterizzato ribattuta su base esagonale in ottone. Filettatura GAS-BSP



Codice	Articolo	A	Diam	B	D	E	H	Ch
141/M3	SPE M3	M3	1,3	5,0	5,0	4,8	10,0	8,0
141/M6	SPE M6	M6	3,0	5,5	4,0	3,0	8,0	8,0
141	SPE M 5	M5	2,5	5,0	4,0	3,0	8,5	8,0
142	SPE 1/8	1/8"	6,0	9,0	6,0	4,0	12,0	13,0
143	SPE 1/4	1/4"	8,5	11,0	8,0	5,0	16,0	16,0
144	SPE 3/8	3/8"	11,5	14,0	8,0	5,0	17,0	19,0
145	SPE 1/2	1/2"	15,0	19,0	10,0	6,0	18,0	24,0
146	SPE 3/4	3/4"	20,0	25,0	10,0	6,0	19,0	30,0
147	SPE 1	1"	26,0	31,0	10,0	6,0	20,0	36,0

Unità di misura espressa in millimetri.

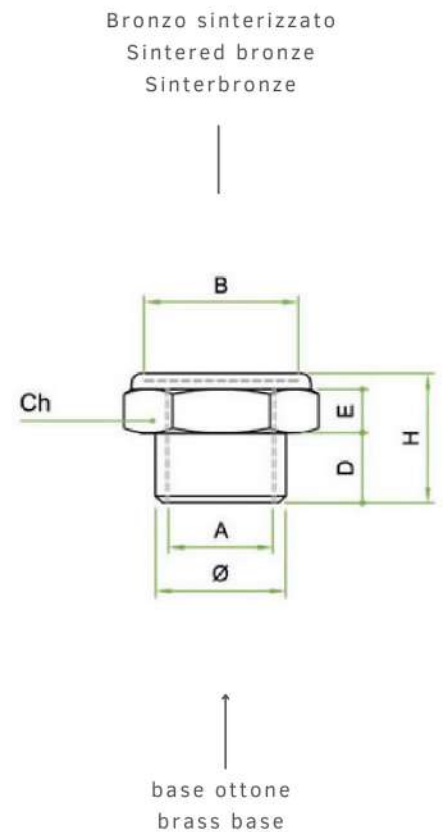
Silenziatore con pastiglia in bronzo sferico sinterizzato ribattuta su base esagonale in ottone. Filettatura NPT



Codice	Articolo	A	Diam	B	D	E	H	Ch
142/NPT	SPE 1/8 NPT	1/8"	6,0	9,0	7.4	4,0	12,0	13,0
143/NPT	SPE 1/4 NPT	1/4"	8,5	11,0	10.9	5,0	16,0	16,0
144/NPT	SPE 3/8 NPT	3/8"	11,5	14,0	10.9	5,0	17,0	19,0
145/NPT	SPE 1/2 NPT	1/2"	15,0	19,0	13.6	6,0	18,0	24,0
146/NPT	SPE 3/4 NPT	3/4"	20,0	25,0	13.6	6,0	19,0	30,0
147/NPT	SPE 1 NPT	1"	26,0	31,0	15.6	6,0	20,0	36,0

Unità di misura espressa in millimetri.

Silenziatore SPEF con pastiglia in bronzo sferico sinterizzato ribattuta su base esagonale in ottone filettatura femmina. Filettatura GAS-BSP



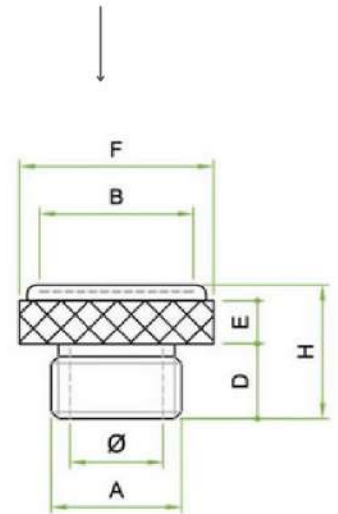
Codice	Articolo	A	Diam	B	D	E	H	Ch
240	SPEF M5	M5	7,0	5,0	4,0	3,0	8,5	8,0
241	SPEF 1/8	1/8"	12,0	9,0	6,0	4,0	12,0	13,0
242	SPEF 1/4	1/4"	15,0	11,0	8,0	5,0	16,0	16,0
243	SPEF 3/8	3/8"	19,0	14,0	8,0	5,0	17,0	19,0
244	SPEF 1/2	1/2"	23,0	19,0	10,0	6,0	18,0	24,0
245	SPEF 3/4	3/4"	29,0	25,0	10,0	6,0	19,0	30,0
246	SPEF 1	1"	35,0	31,0	10,0	6,0	20,0	36,0

Unità di misura espressa in millimetri.

Silenziatore SPZ con pastiglia in bronzo sferico sinterizzato ribattuta su base circolare zigrinata in ottone. Filettatura GAS-BSP



Bronzo sinterizzato  
Sintered bronze  
Sinterbronze



base ottone  
brass base

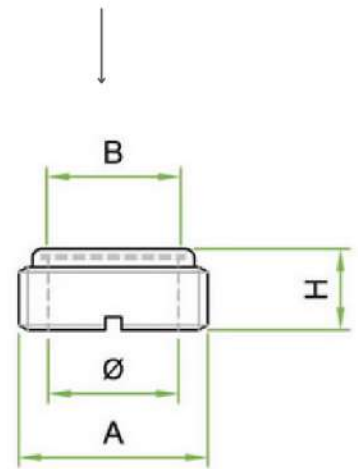
Codice	Articolo	A	Diam	B	D	E	F	H
149	SPZ 1/8	1/8"	6,0	8,0	7,0	4,0	13,0	13,0
150	SPZ 1/4	1/4"	8,5	12,0	8,0	4,5	16,0	16,0
151	SPZ 3/8	3/8"	11,5	15,0	8,0	5,0	19,0	14,0
152	SPZ 1/2	1/2"	15,0	19,0	10,0	5,0	24,0	18,0
153	SPZ 3/4	3/4"	20,0	24,0	10,0	5,0	30,0	18,0
154	SPZ 1	1"	26,0	30,0	10,0	6,0	38,0	19,0

Unità di misura espressa in millimetri.

Silenziatore SPC con pastiglia in bronzo sferico sinterizzato ribattuta su base filettata in ottone con taglio cacciavite. Filettatura GAS-BSP



Bronzo sinterizzato  
Sintered bronze  
Sinterbronze



base ottone  
brass base

Codice	Articolo	A	Diam	B	H
155	SPC 1/8	1/8"	5,5	5,5	4,5
156	SPC 1/4	1/4"	6,0	8,0	6,0
157	SPC 3/8	3/8"	9,5	9,0	7,0
158	SPC 1/2	1/2"	12,5	12,0	9,0
159	SPC 3/4	3/4"	19,0	20,0	9,0
160	SPC 1	1"	24,0	25,0	10,0

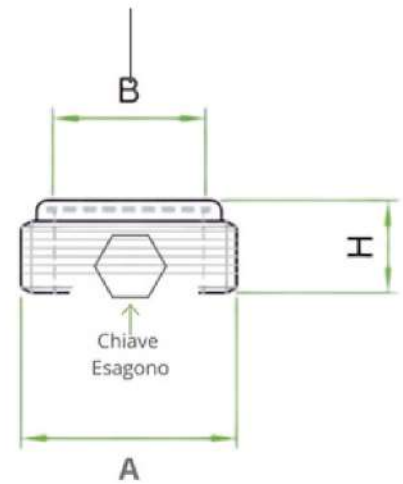
Unità di misura espressa in millimetri.



Silenziatore SPB con pastiglia in bronzo sferico sinterizzato ribattuta su base filettata in ottone chiave brugola. Filettatura GAS-BSP



Bronzo sinterizzato  
Sintered bronze  
Sinterbronze

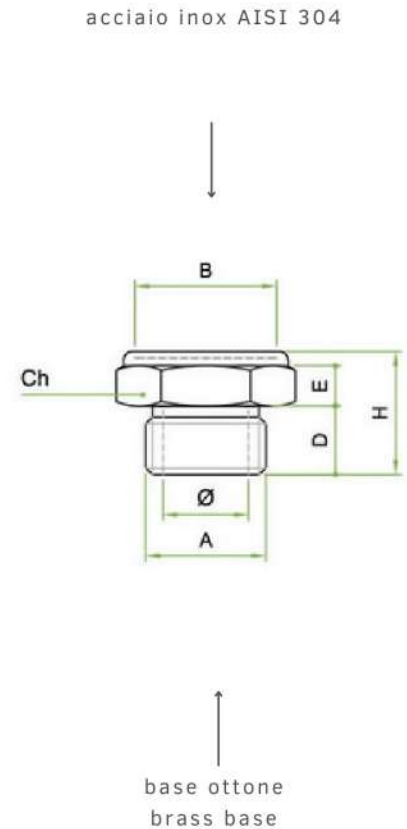


base ottone  
brass base

Codice	Articolo	A	Chiave Esagono	B	H
600	SPB 1/8	1/8"	5	5,5	4,5
601	SPB 1/4	1/4"	6	8,0	6,0
602	SPB 3/8	3/8"	8	9,0	7,0
603	SPB 1/2	1/2"	10	12,0	9,0
604	SPB 3/4	3/4"	16	20,0	9,0
605	SPB 1	1"	20	25,0	10,0

Unità di misura espressa in millimetri.

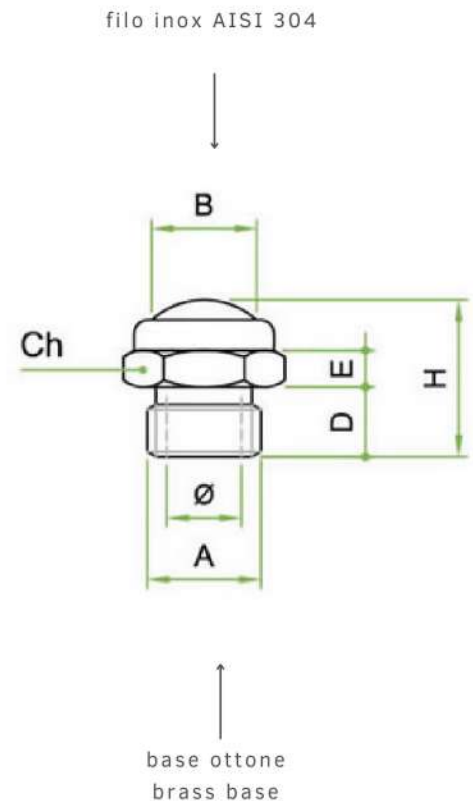
Silenziatore SERM con rete microforata in acciaio inox AISI 304 ribattuta su base esagonale in ottone. Filettatura GAS-BSP



Codice	Articolo	A	Diam	B	D	E	H	Ch
376	SERM 1/8	1/8"	6,0	10,0	6,0	4,0	12,0	13,0
377	SERM 1/4	1/4	8,5	12,0	8,0	5,0	14,0	16,0
378	SERM 3/8	3/8"	11,5	17,0	8,0	5,0	17,0	19,0
379	SERM 1/2	1/2"	15,0	21,0	10,0	6,0	18,0	24,0
380	SERM 3/4	3/4"	20,0	27,0	10,0	6,0	19,0	30,0
381	SERM 1	1"	26,0	34,0	10,0	6,0	20,0	36,0

Unità di misura espressa in millimetri.

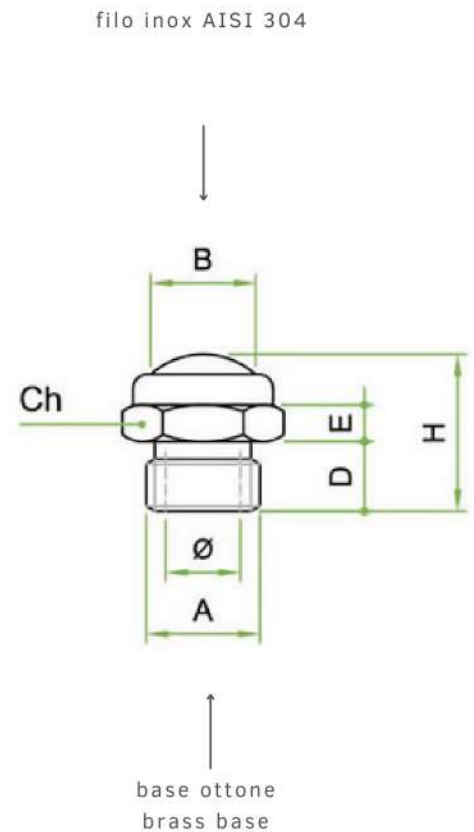
Silenziatore SRE con cupola in filo inox AISI 304 ribattuta su base esagonale in ottone. Filettatura GAS-BSP



Codice	Articolo	A	Diam	B	D	E	H	Ch
097	SRE M3	M3	1,3	5,0	5,0	4,8	10,8	8,0
098	SRE M7	M7	3,5	5,5	5,5	3,3	9,5	8,0
099	SRE M6	M6	3,0	5,5	4,0	3,0	8,0	8,0
100	SRE 1/8	1/8"	6,0	9,5	6,0	4,0	15,0	13,0
101	SRE 1/4	1/4"	8,5	11,0	8,0	5,0	18,0	16,0
102	SRE 3/8	3/8"	11,5	14,5	8,0	5,0	20,0	19,0
103	SRE 1/2	1/2"	15,0	19,0	10,0	6,0	22,0	24,0
104	SRE 3/4	3/4"	20,0	24,0	10,0	6,0	26,0	30,0
105	SRE 1	1"	26,0	31,0	10,0	6,0	28,0	36,0
106	SRE M 5	M5	2,5	5,5	4,0	3,0	8,0	8,0

Unità di misura espressa in millimetri.

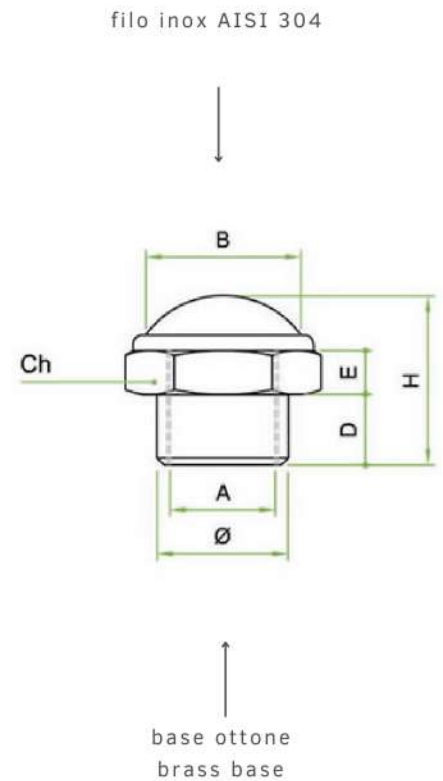
Silenziatore SRE NPT con cupola in filo inox AISI 304 ribattuta su base esagonale in ottone. Filettatura NPT



Codice	Articolo	A	Diam	B	D	E	H	Ch
100/NPT	SRE 1/8 NPT	1/8"	6,0	9,5	6,0	4,0	15,0	13,0
101/NPT	SRE 1/4 NPT	1/4"	8,5	11,0	8,0	5,0	18,0	16,0
102/NPT	SRE 3/8 NPT	3/8"	11,5	14,5	8,0	5,0	20,0	19,0
103/NPT	SRE 1/2 NPT	1/2"	15,0	19,0	10,0	6,0	22,0	24,0
104/NPT	SRE 3/4 NPT	3/4"	20,0	24,0	10,0	6,0	26,0	30,0
105/NPT	SRE 1 NPT	1"	26,0	31,0	10,0	6,0	28,0	36,0

Unità di misura espressa in millimetri.

Silenziatore SREF con cupola in filo inox AISI 304 ribattuta su base esagonale in ottone filettatura femmina. Filettatura GAS-BSP



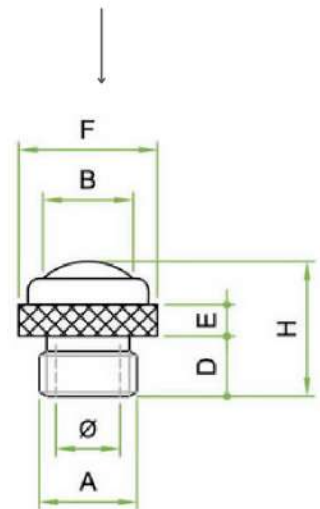
Codice	Articolo	A	Diam	B	D	E	H	Ch
250	SREF M 5	M5	7,0	5,5	4,0	3,0	8,0	8,0
251	SREF 1/8	1/8"	12,0	9,5	6,0	4,0	15,0	13,0
252	SREF 1/4	1/4"	15,0	11,0	8,0	5,0	18,0	16,0
253	SREF 3/8	3/8"	19,0	14,5	8,0	5,0	20,0	19,0
254	SREF 1/2	1/2"	23,0	19,0	10,0	6,0	22,0	24,0
255	SREF 3/4	3/4"	29,0	24,0	10,0	6,0	26,0	30,0
256	SREF 1	1"	35,0	31,0	10,0	6,0	28,0	36,0

Unità di misura espressa in millimetri.

Silenziatore SRZ con cupola in filo inox AISI 304 ribattuta su base circolare zigrinata in ottone. Filettatura GAS-BSP



Filo inox AISI 304

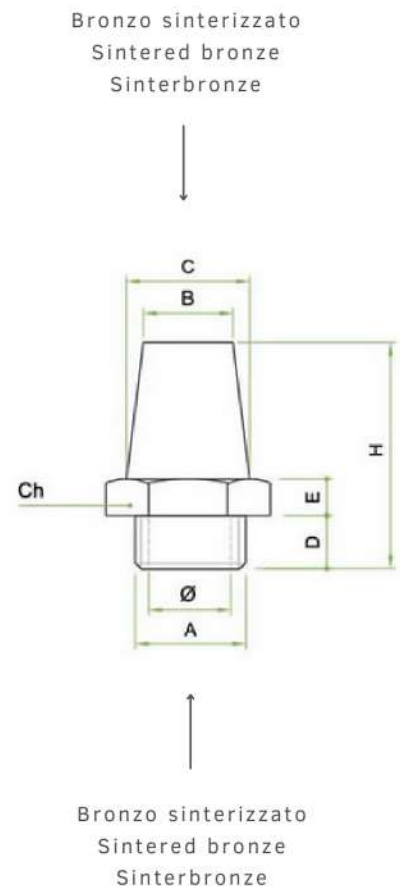


base ottone  
brass base

Codice	Articolo	A	Diam	B	D	E	F	H
135	SRZ 1/8	1/8"	6,0	9,5	7,0	4,0	13,0	14,0
136	SRZ 1/4	1/4"	8,5	11,0	8,0	4,5	16,0	18,0
137	SRZ 3/8	3/8"	11,5	14,5	8,0	5,0	19,0	20,0
138	SRZ 1/2	1/2"	15,0	19,0	10,0	5,0	24,0	22,0
139	SRZ 3/4	3/4"	20,0	24,0	10,0	5,0	30,0	24,0
140	SRZ 1	1"	26,0	31,0	10,5	6,0	38,0	27,0

Unità di misura espressa in millimetri.

Silenziatore SIE integrale in bronzo sferico sinterizzato con base esagonale. Filettatura GAS-BSP



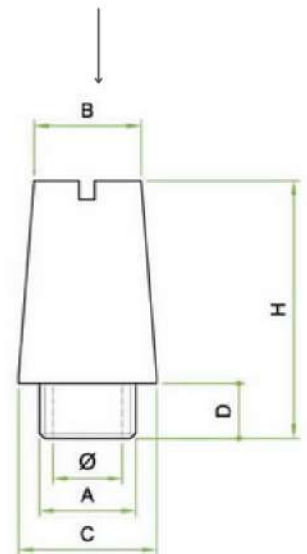
Codice	Articolo	A	Diam	B	C	D	E	H	Ch
196	SIE 1/8	1/8"	4,0	8,0	10,0	6,0	4,0	28,0	13,0
197	SIE 1/4	1/4"	6,0	12,0	14,0	8,0	4,0	34,0	17,0
198	SIE 3/8	3/8"	9,0	15,0	17,0	10,0	5,0	36,0	22,0
199	SIE 1/2	1/2"	12,0	19,0	20,5	12,0	7,0	44,0	27,0
200	SIE 3/4	3/4"	16,0	22,0	25,0	14,0	10,0	54,0	32,0
201	SIE 1	1"	22,0	28,0	31,0	16,0	10,0	66,0	41,0

Unità di misura espressa in millimetri.

Silenziatore integrale in bronzo sferico sinterizzato con taglio cacciavite in testa. Filettatura GAS-BSP



Bronzo sinterizzato  
Sintered bronze  
Sinterbronze



Bronzo sinterizzato  
Sintered bronze  
Sinterbronze

Codice	Articolo	A	Diam	B	C	D	H
202	SIC 1/8	1/8"	4,0	8,0	11,0	5,5	21,0
203	SIC 1/4	1/4"	6,0	10,5	14,0	8,5	27,0
204	SIC 3/8	3/8"	9,0	15,0	18,0	11,0	36,0
205	SIC 1/2	1/2"	11,0	19,0	24,0	11,0	44,0
206	SIC 3/4	3/4"	17,0	23,5	30,0	13,0	65,0
207	SIC 1	1"	22,0	26,5	36,0	15,0	75,0

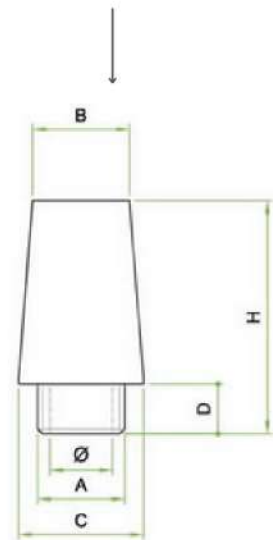
Unità di misura espressa in millimetri.



Silenziatore SCI conico integrale dimensioni maxi in bronzo sferico sinterizzato Filettatura GAS-BSP



Bronzo sinterizzato  
Sintered bronze  
Sinterbronze



Bronzo sinterizzato  
Sintered bronze  
Sinterbronze

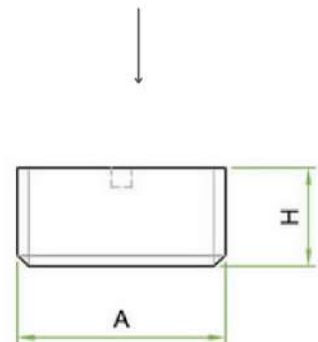
Codice	Articolo	A	Diam	B	C	D	H
214	SCI 1" ¼	1" ¼	33,0	34,0	45,0	16,5	84,0
215	SCI 1" ½	1" ½	37,0	38,5	53,0	16,5	95,0
216	SCI 2"	2"	48,0	46,0	65,0	20,0	106,0
217	SCI 2" ¼	2" ¼	55,0	50,0	72,0	22,0	108,0
218	SCI 2" ½	2" ½	64,0	66,0	82,0	22,0	110,0

Unità di misura espressa in millimetri.

Silenziatore integrale a pastiglia con taglio cacciavite in bronzo sferico sinterizzato Filettatura GAS-BSP



Bronzo sinterizzato  
Sintered bronze  
Sinterbronze



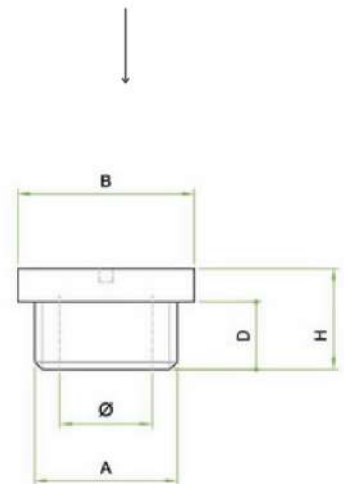
Codice	Articolo	A	H
450	SPCI 1/8	1/8"	6,5
451	SPCI 1/4	1/4"	7,0
452	SPCI 3/8	3/8"	7,5
453	SPCI 1/2	1/2"	8,0

Unità di misura espressa in millimetri.

Silenziatore integrale a tappo con taglio cacciavite in bronzo sferico sinterizzato Filettatura GAS-BSP



Bronzo sinterizzato  
Sintered bronze  
Sinterbronce



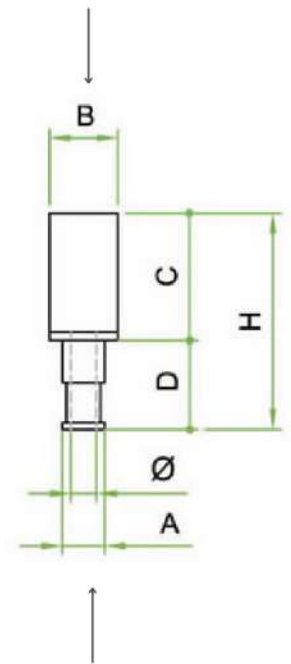
Codice	Articolo	A	Diam	B	D	H
426	STI 1/8	1/8"	4,5	11,5	6,0	10,0
427	STI 1/4	1/4"	7,0	14,0	8,0	12,0
428	STI 3/8	3/8"	11,0	19,0	8,0	12,0

Unità di misura espressa in millimetri.

Silenziatore SIB cilindrico in bronzo sferico sinterizzato su innesto a baionetta in acciaio ramato



Bronzo sinterizzato  
Sintered bronze  
Sinterbronze

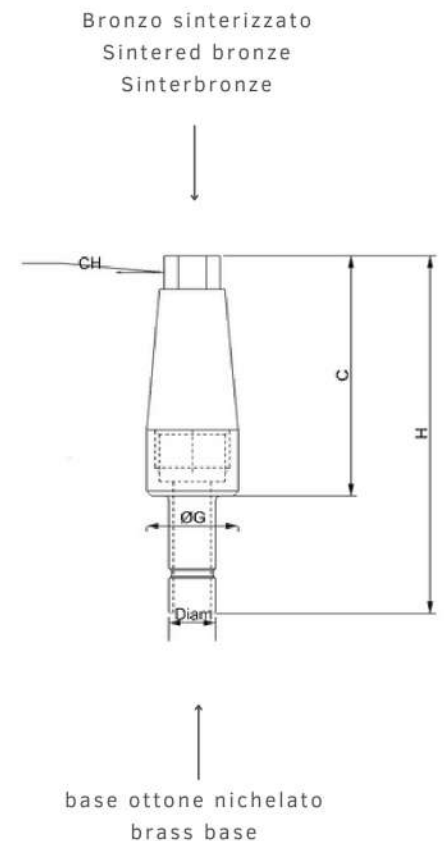


Acciaio ramato / Copper plated  
115 Mn Pb 37 UNI EN 10277  
Trattamento - Ramatura Cu/Cn

Codice	Articolo	A	Diam	B	C	D	H
1232	SIB 5	4,8	3,0	8,0	16,0	10,0	26,0
1233	SIB 35	3,3	2,0	8,0	16,0	10,0	26,0

Unità di misura espressa in millimetri.

Silenziatore SIB A con testa esagonale in bronzo sferico sinterizzato su innesto a baionetta in ottone nichelato



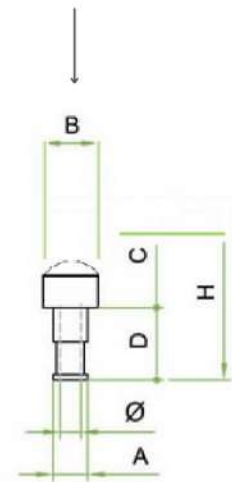
Codice	Articolo	A	Diam	B	C	D
388	SIB/A	4,0	8,0	28,9	13,0	45,50
389	SIB/A	6,0	10,0	33,0	15,0	52,00
390	SIB/A	8,0	10,0	33,0	15,0	52,70
391	SIB/A	10,0	13,0	43,0	19,5	68,00
392	SIB/A	12,0	13,0	43,0	20,0	69,00

Unità di misura espressa in millimetri.

Silenziatore SIB CR a cupola innesto baionetta - SIB/CR in filo inox



Bronzo sinterizzato  
Sintered bronze  
Sinterbronze



base ottone  
brass base

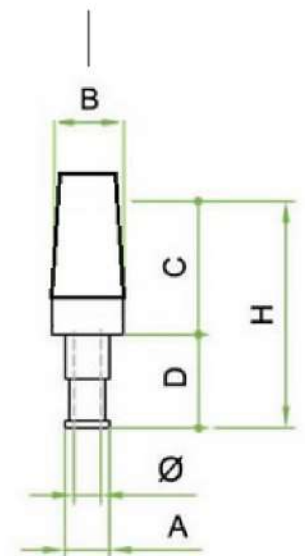
Codice	Articolo	Diam	B	C	D	H
385	SIB/CR	4,0	13,00	6,5	25,0	34

Unità di misura espressa in millimetri.

Silenziatore SIB CC conico in bronzo sferico sinterizzato su innesto a baionetta in ottone



Bronzo sinterizzato  
Sintered bronze  
Sinterbronze



base ottone  
brass base

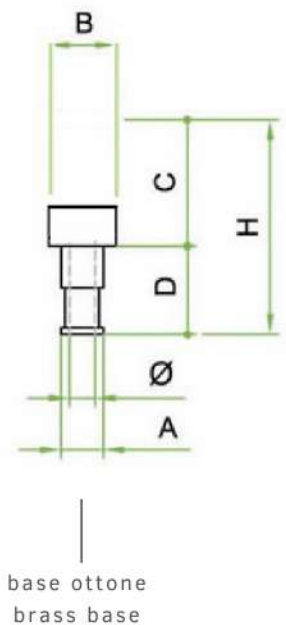
Codice	Articolo	Diam	B	C	D	H
386	SIB/CC	4,0	7,5	22,0	25,0	47,0

Unità di misura espressa in millimetri.

Silenziatore SIB CP disco in bronzo sferico sinterizzato su innesto a baionetta in ottone



Bronzo sinterizzato  
Sintered bronze  
Sinterbronze



Codice	Articolo	Diam	B	C	D	H
387	SIB/CP	4,0	13,00	6,5	25,0	31,5

Unità di misura espressa in millimetri.



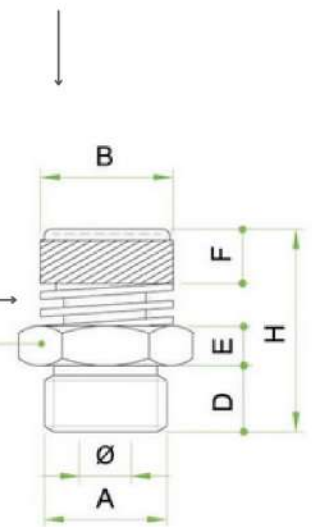
Valvola SBR regolatrice in ottone con silenziatore a pastiglia in bronzo sferico sinterizzato. Filettatura GAS-BSP



Bronzo Sint AF 50 DIN 30 910 T2 CuSn10

Filo di Acciaio Inox AISI  
302 X10  
CrNr18-8 UNI EN 102703

Ch

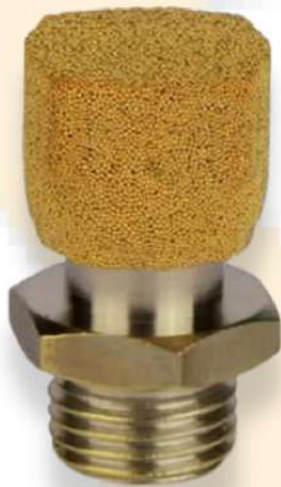


Ottone CW 614N UNI EN 12164  
CuZn39Pb3  
brass base

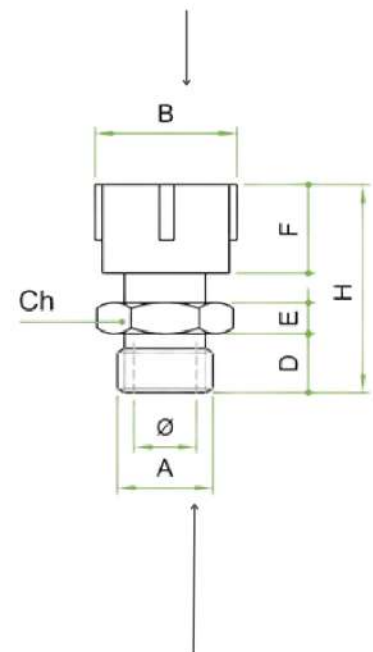
Codice	Articolo	A	Diam	B	D	E	F	Ch	Hmin	Hmax
180	SBR 1/8	1/8"	4,0	12,0	6,0	6,5	8,0	13,0	25,0	28,0
181	SBR 1/4	1/4"	5,0	14,0	8,0	5,5	8,0	15,0	27,0	31,0
182	SBR 3/8	3/8"	8,0	17,0	10,0	8,0	8,0	22,0	31,0	35,0
183	SBR 1/2	1/2"	8,0	18,0	10,0	7,5	10,0	22,0	35,0	40,0

Unità di misura espressa in millimetri.

Valvola TSI regolatrice in acciaio nichelato con corpo regolatore in bronzo sferico sinterizzato. Filettatura GAS-BSP



Bronzo Sint AF 50 DIN 30 910 T2 CuSn10

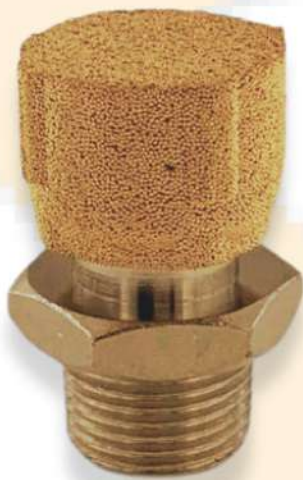


Ottone CW 614N UNI EN 12164 CuZn39Pb3  
Trattamento - Nichelatura

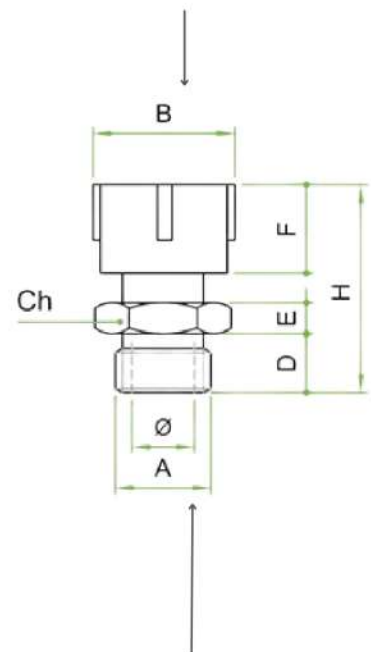
Codice	Articolo	A	Diam	B	D	E	F	Ch	Hmin	Hmax
225	TSI 1/8	1/8"	4,5	15,0	8,0	4,0	12,0	14,0	25,0	27,0
226	TSI 1/4	1/4"	6,5	18,5	8,0	4,0	14,0	17,0	28,0	30,0
227	TSI 3/8	3/8"	8,0	23,5	10,0	5,0	16,0	22,0	33,0	38,0
228	TSI 1/2	1/2"	12,5	28,0	12,0	7,0	18,0	27,0	39,0	46,0

Unità di misura espressa in millimetri.

Valvola TSI N regolatrice in acciaio nichelato con corpo regolatore in bronzo sferico sinterizzato. Filettatura NPT



Bronzo Sint AF 50 DIN 30 910 T2 CuSn10



Ottone CW 614N UNI EN 12164 CuZn39Pb3  
Trattamento - Nichelatura

Codice	Articolo	A	Diam	B	D	E	F	Ch	Hmin	Hmax
225/npt	TSI 1/8 NPT	1/8 npt	4,0	15,0	7,0	4,0	12,0	14,0	24,0	26,0
226/npt	TSI 1/4 NPT	1/4 npt	6,0	18,5	11,0	4,0	14,0	17,0	31,0	34,0
227/npt	TSI 3/8 NPT	3/8 npt	8,0	23,5	11,0	5,0	16,0	22,0	33,0	38,0
228/npt	TSI 1/2 NPT	1/2 npt	12,0	28,0	15,0	7,0	18,0	27,0	42,0	48,0

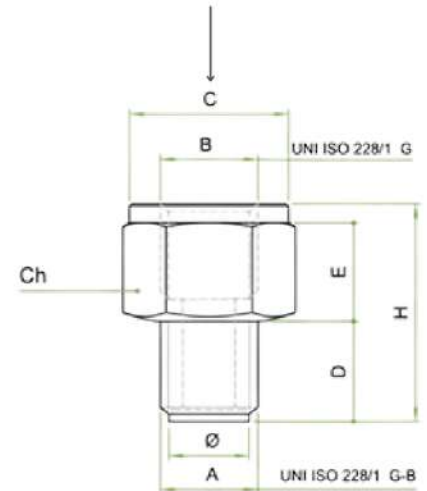
Unità di misura espressa in millimetri.

Smorzatore SMZ di pressione per manometri corpo in ottone con pastiglia in bronzo sferico sinterizzato.



Bronzo Sint AF 50 DIN 30 910 T2 CuSn10

Nichelato



Ottone CW 614N UNI EN 12164 CuZn39Pb3

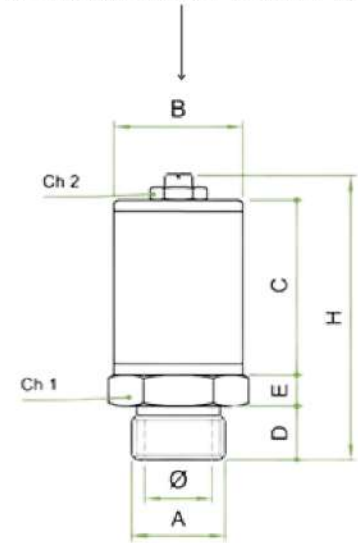
Codice	Articolo	A	Diam	B	C	D	E	H	Ch
550	SMZ 1/8	1/8	8,0	1/8	16,0	10,0	14,0	24,0	14,0
551	SMZ 1/4	1/4"	10,0	1/4"	18,5	15,5	14,0	34,0	19,0
552	SMZ 3/8	3/8"	12,0	3/8"	26,5	18,0	20,0	44,0	27,0
553	SMZ 1/2	1/2"	16,0	1/2"	29,0	19,0	20,0	45,0	30,0

Unità di misura espressa in millimetri.

Valvola VRFB regolatrice in ottone con silenziatore a boccola in bronzo sferico sinterizzato



Bronzo sinterizzato / Sintered bronze  
AF 50 DIN 30 910 T2 CuSn10



Ottone / Brass  
CW 614N UNI EN 12164 CuZn39Pb3

Codice	Articolo	A	Diam	B	C	D	E	Hmin	Hmax	Ch1	Ch2
475	VRFB 1/8	1/8"	5,0	16,0	18,0	8,0	4,5	37,0	44,0	16,0	9,0
476	VRFB 1/4	1/4"	5,0	16,0	18,0	8,0	4,5	37,0	44,0	16,0	9,0
477	VRFB 3/8	3/8"	9,0	21,0	24,0	11,0	5,5	50,0	54,0	22,0	9,0
478	VRFB 1/2	1/2"	9,0	21,0	24,0	11,0	5,5	50,0	54,0	22,0	9,0

Unità di misura espressa in millimetri.

Valvola VRPE Valvola Regolatrice di Flusso Silenziata in politene / polietilene



Filtro - Politene HDPE sinterizzato

Corpo - Nylon 6  
Resina acetaleica  
Acetaleic resin



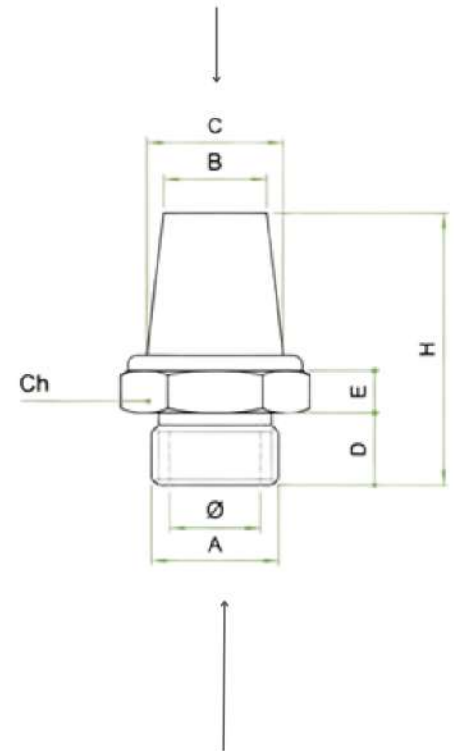
Codice	Articolo	A	Diam	CH	H
501	VRPE 1/8	1/8"	15,0	13,0	20,5
502	VRPE 1/4	1/4"	18,0	15,0	29,0
503	VRPE 3/8	3/8"	24,0	20,0	28,0
504	VRPE 1/2	1/2"	30,0	25,0	50,0

Unità di misura espressa in millimetri.

Silenziatore SEB/X a cono in acciaio inox AISI 316L sinterizzato su base esagonale in acciaio inox AISI 316L.



Acciaio Inox AISI 316L  
X2CrNiMo17-12-2 UNI EN 10088-3



Acciaio Inox AISI 316L  
X2CrNiMo17-12-2 UNI EN 10088-3

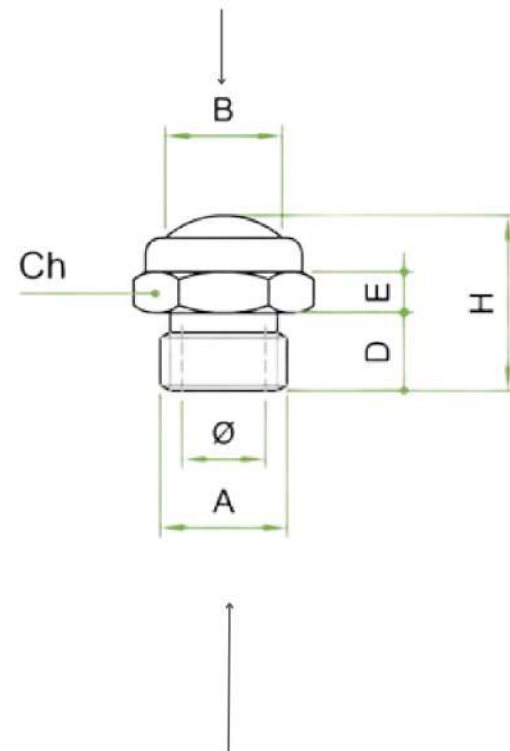
Codice	Articolo	A	Diam	B	C	D	E	H	Ch
361	SEB/X 1/8	1/8"	6,5	8,2	9,0	7,0	4,5	29,0	12,0
362	SEB/X1/4	1/4"	9,0	10,5	12,5	9,0	4,5	33,0	15,0
363	SEB/X 3/8	3/8"	11,0	12,5	15,0	9,0	5,0	40,0	19,0
364	SEB/X1/2	1/2"	15,0	16,0	18,0	9,5	6,5	48,0	23,0
365	SEB/X3/4	3/4"	20,0	22,0	24,5	11,0	7,0	58,0	30,0
366	SEB/X1	1"	25,0	27,5	29,5	15,0	8,0	72,0	36,0

Unità di misura espressa in millimetri.

Silenziatore SREX con cupola in filo inox AISI 316L ribattuto su base esagonale in acciaio inox AISI 316L - Filettatura GAS-BSP



Acciaio Inox AISI 316L  
X2CrNiMo17-12-2 UNI EN 10088-3



Acciaio Inox AISI 316L  
X2CrNiMo17-12-2 UNI EN 10088-3

Codice	Articolo	A	Diam	B	D	E	H	Ch
300	SREX M 5	M5	2,5	5,5	4,0	3,0	8,0	8,0
301	SREX 1/8	1/8"	6,0	9,5	6,0	4,0	15,0	13,0
302	SREX 1/4	1/4"	8,5	11,0	8,0	5,0	18,0	16,0
303	SREX 3/8	3/8"	11,5	14,5	8,0	5,0	20,0	19,0
304	SREX 1/2	1/2"	15,0	19,0	10,0	6,0	22,0	24,0
305	SREX 3/4	3/4"	20,0	24,0	10,0	6,0	26,0	30,0
306	SREX 1	1"	26,0	31,0	10,0	6,0	28,0	36,0
308	SREX 1 ½	1 ½"	40,0	40,5	11,6	7,0	30,0	52,0
309	SREX 2	2"	50,0	52,0	20,0	9,0	40,0	65,0

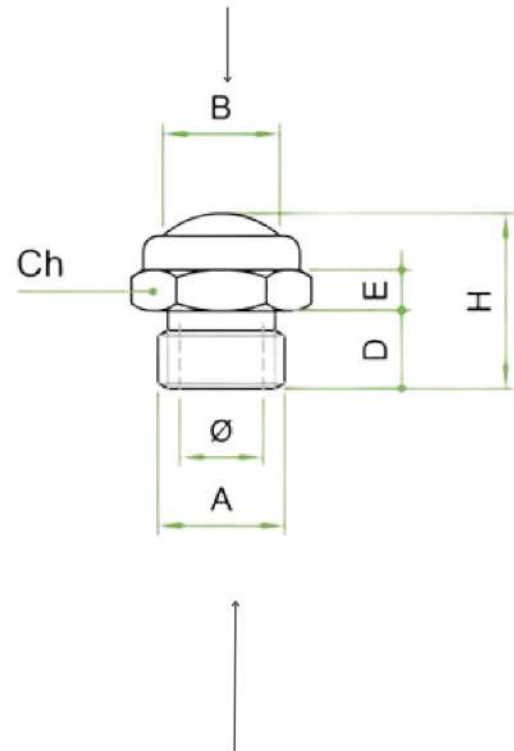
Unità di misura espressa in millimetri.



Silenziatore SREX N con cupola in filo inox AISI 316L ribattuto su base esagonale in acciaio inox AISI 316L - Filettatura NPT



Acciaio Inox AISI 316L  
X2CrNiMo17-12-2 UNI EN 10088-3



Acciaio Inox AISI 316L  
X2CrNiMo17-12-2 UNI EN 10088-3

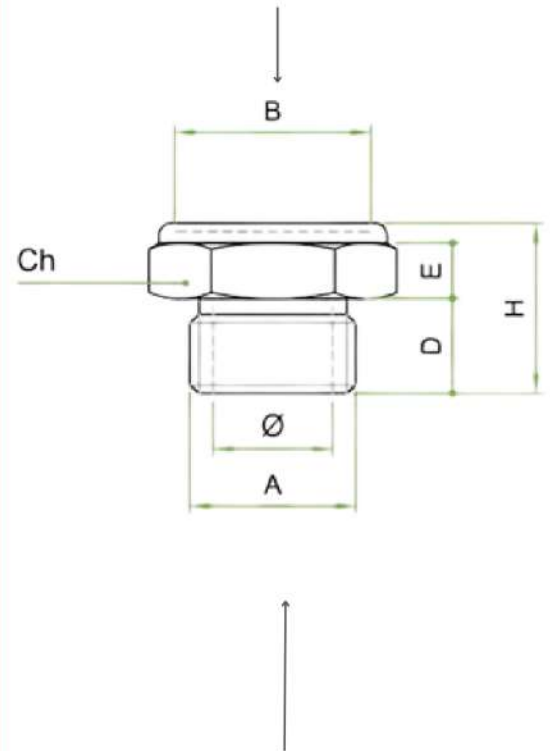
Codice	Articolo	A	Diam	B	D	E	H	Ch
311	SREX 1/8 NPT	1/8 npt	6,0	9,5	7,0	4,0	16,0	13,0
312	SREX 1/4 NPT	1/4 npt	8,0	11,0	11,0	5,0	21,0	16,0
313	SREX 3/8 NPT	3/8 npt	11,5	14,5	11,0	5,0	23,0	19,0
314	SREX 1/2 NPT	1/2 npt	15,0	19,0	15,0	6,0	27,0	24,0
315	SREX 3/4 NPT	3/4 npt	20,0	24,0	16,0	6,0	32,0	30,0
316	SREX 1 NPT	1 npt	26,0	31,0	19,0	6,0	37,0	36,0
318	SREX 1 1/2 NPT	1 1/2 npt	40,0	40,5	11,6	7,0	30,0	52,0
319	SREX 2" NPT	2" npt	50,0	52,0	20,0	9,0	40,0	65,0

Unità di misura espressa in millimetri.

Silenziatore SMEX/G con rete microforata inox AISI 316L ribattuto su base esagonale in acciaio inox AISI 316L Filettatura GAS-BSP



Acciaio Inox AISI 316L  
X2CrNiMo17-12-2 UNI EN 10088-3



Acciaio Inox AISI 316L  
X2CrNiMo17-12-2 UNI EN 10088-3

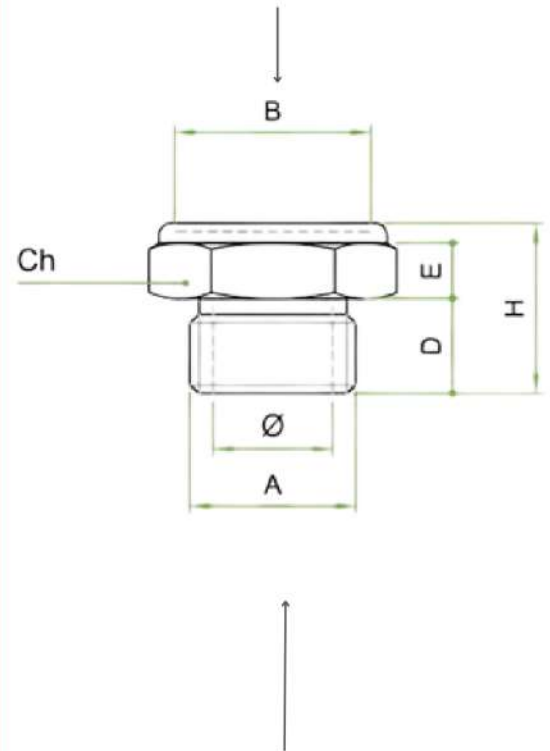
Codice	Articolo	A	Diam	B	D	E	H	Ch
325	SMEX/G 1/8	1/8"	6,0	10,0	8,0	4,0	15,0	14,0
326	SMEX/G 1/4	1/4"	8,0	12,5	8,0	4,0	15,0	17,0
327	SMEX/G 3/8	3/8"	12,0	17,5	10,0	5,0	18,0	22,0
328	SMEX/G 1/2	1/2"	15,0	21,5	12,0	7,0	22,0	27,0
329	SMEX/G 3/4	3/4"	20,0	28,0	15,0	9,0	27,0	32,0
330	SMEX/G 1	1"	26,0	34,0	18,0	11,0	32,0	41,0

Unità di misura espressa in millimetri.

Silenziatore SMEX/N con rete microforata inox AISI 316L ribattuto su base esagonale in acciaio inox AISI 316L Filettatura NPT



Acciaio Inox AISI 316L  
X2CrNiMo17-12-2 UNI EN 10088-3

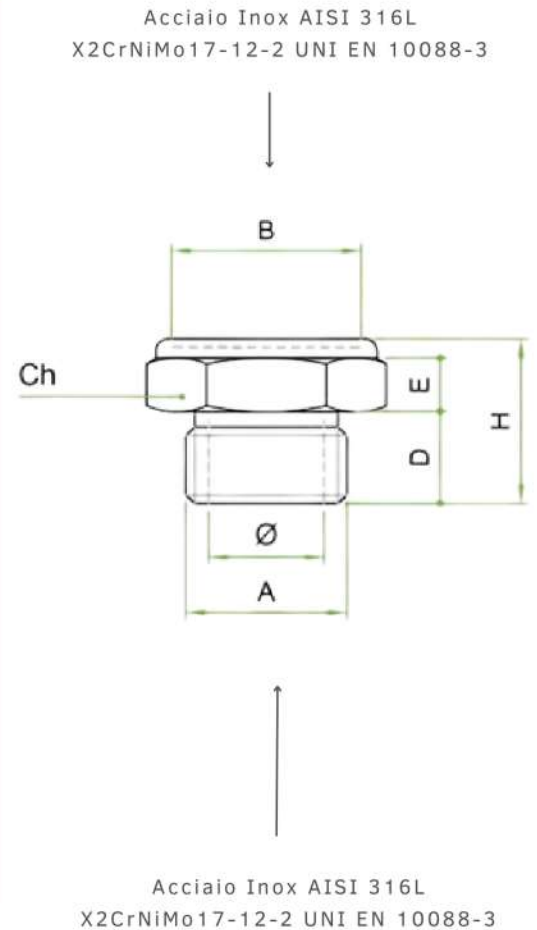


Acciaio Inox AISI 316L  
X2CrNiMo17-12-2 UNI EN 10088-3

Codice	Articolo	A	Diam	B	D	E	H	Ch
350	SMEX/N 1/8 NPT	1/8 npt	6,0	9,0	7,0	4,0	14,0	14,0
351	SMEX/N 1/4 NPT	1/4 npt	8,0	13,0	11,0	4,0	18,0	17,0
352	SMEX/N 3/8 NPT	3/8 npt	12,0	18,0	11,0	5,0	18,0	22,0
353	SMEX/N 1/2 NPT	1/2 npt	15,0	22,5	15,0	7,0	25,0	27,0
354	SMEX/N 3/4 NPT	3/4 npt	20,0	28,0	16,0	9,0	27,0	32,0
355	SMEX/N 1 NPT	1 npt	26,0	34,0	19,0	11,0	32,0	41,0

Unità di misura espressa in millimetri.

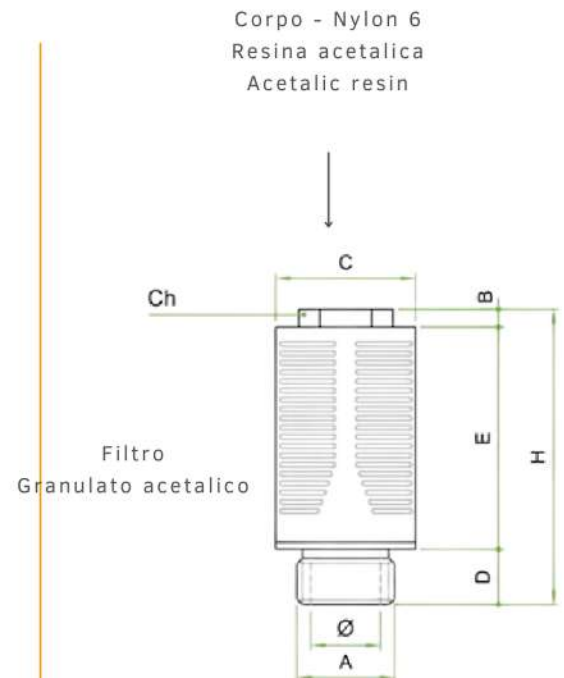
Silenziatore SETM con tela metallica inox AISI 316L ribattuto su base esagonale in acciaio inox AISI 316L . Filettatura GAS-BSP



Codice	Articolo	A	Diam	B	D	E	H	Ch	Filtrazione
641	SETM 1/4	1/4"	8,5	10,5	8,0	4,0	13,8	16,0	0,5 mm
642	SETM 3/8	3/8 "	12,0	17,3	10,0	5,0	16,6	22,0	1,35 mm

Unità di misura espressa in millimetri.

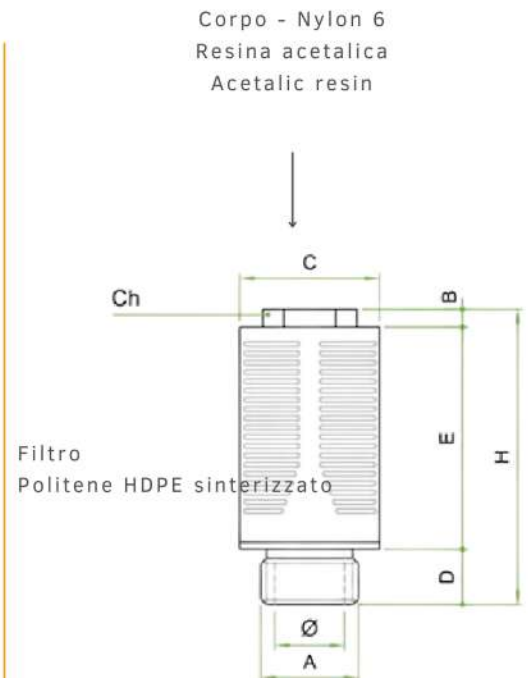
Silenziatore SPD plastica dinamico autopulente in Nylon 6.  
Filtro Granulato acetalico.



Codice	Articolo	A	Diam	B	C	D	E	H	Ch
168	SPD 1/8	1/8"	7,0	2,5	15,5	7,0	25,5	35,0	10,0
169	SPD 1/4	1/4"	9,0	3,0	19,5	7,0	32,0	43,0	12,0
170	SPD 3/8	3/8"	12,0	3,0	24,5	11,0	45,0	59,0	16,0
171	SPD 1/2	1/2"	12,0	3,0	24,5	11,0	45,0	59,0	16,0
172	SPD 3/4	3/4"	20,0	10,0	50,0	18,0	90,0	118,0	25,0
173	SPD 1	1"	20,0	10,0	50,0	18,0	90,0	118,0	25,0

Unità di misura espressa in millimetri.

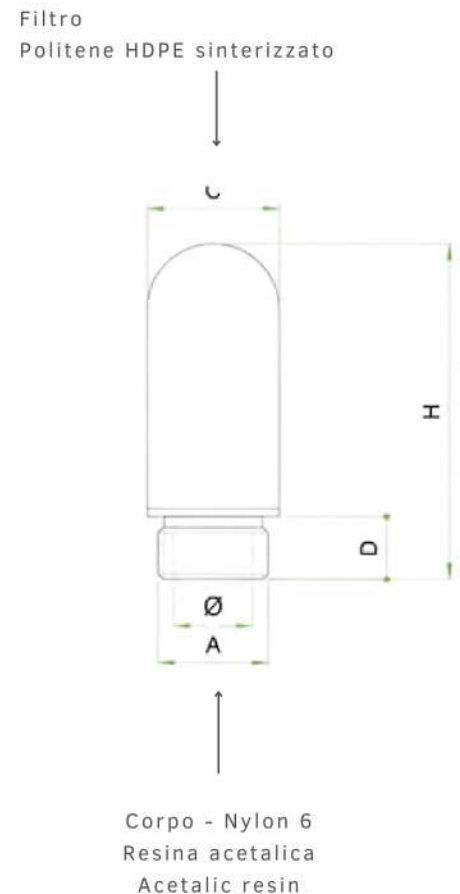
Silenziatore SPS plastica dinamico autopulente in Nylon 6.  
Filtro Politene HDPE sinterizzato



Codice	Articolo	A	Diam	B	C	D	E	H	Ch
174	SPS 1/8	1/8"	7,0	2,5	15,5	7,0	25,5	35,0	10,0
175	SPS 1/4	1/4"	9,0	3,0	19,5	7,0	32,0	43,0	12,0
176	SPS 3/8	3/8"	12,0	3,0	24,5	11,0	45,0	59,0	16,0
177	SPS 1/2	1/2"	12,0	3,0	24,5	11,0	45,0	59,0	16,0
178	SPS 3/4	3/4"	20,0	10,0	50,0	18,0	90,0	118,0	25,0
179	SPS 1	1"	20,0	10,0	50,0	18,0	90,0	118,0	25,0

Unità di misura espressa in millimetri.

Silenziatore SPPE politene sinterizzato elettrosaldato su raccordo filettato in nylon



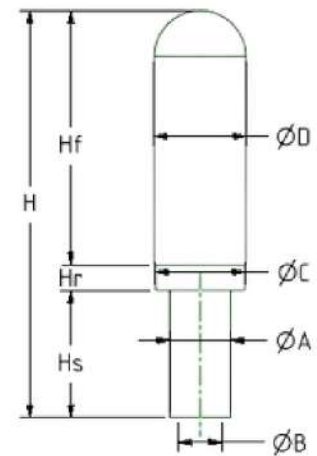
Codice	Articolo	A	Diam	C	D	H
525	SPPE M 5	M 5	3,0	7,5	4,0	24,5
526	SPPE 1/8	1/8"	5,0	13,0	7,0	33,5
527	SPPE 1/4	1/4"	6,5	17,0	8,0	40,0
528	SPPE 3/8	3/8"	10,5	25,0	11,0	65,0
529	SPPE 1/2	1/2"	12,0	25,0	11,0	71,0
530	SPPE 3/4	3/4"	16,0	37,0	15,5	138,0
531	SPPE 1	1"	22,0	47,5	19,0	157,0

Unità di misura espressa in millimetri.

Silenziatore SIB/PE in plastica statico con cartuccia in polietene sinterizzato, innesto a baionetta.



Filtro  
Polietene HDPE sinterizzato



Corpo - Nylon 6  
Resina acetlica  
Acetalic resin

Codice	Articolo	A	B	C	D	H	Hf	Hs	Hr
540	SIB/PE 4	4,0	2,3	7	7	32	15,5	11,5	5
541	SIB/PE 6	6,0	3,5	13,5	12,8	48	21,5	21,5	5
542	SIB/PE 8	8,0	5	14	13,4	46,7	19,2	22,5	5
543	SIB/PE 10	10,0	7	16	15,5	58,5	27,9	26,6	4
544	SIB/PE 12	12,0	8,5	18,9	18,6	84	50,5	28,5	5

Unità di misura espressa in millimetri.



