

SEB

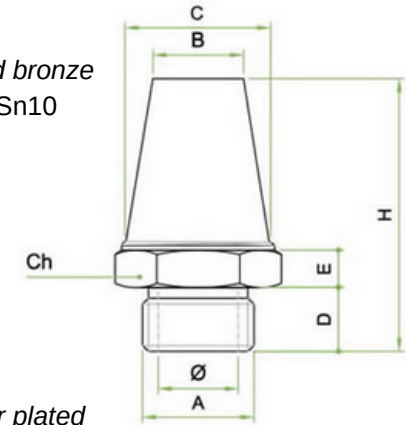
Silenziatore conico in bronzo sferico sinterizzato su base esagonale in acciaio ramato. Filettatura GAS-BSP
Conical silencer spherical bronze sintered on a steel hexagonal copper. GAS-BSP thread



CARATTERISTICHE / FEATURES

Fluido: Aria
 Filtrazione: 50
 Pressione d'esercizio: 1 MPa 10 bar
 Temperatura d'esercizio -20 ° C + 150° C
 Tolleranze: ISO 2768 C

Bronzo sinterizzato / Sintered bronze
 AF 50 DIN 30 910 T2 CuSn10



Acciaio ramato / Copper plated
 115 Mn Pb 37 UNI EN 10277 Trattamento - Ramatura CuCn

Unità di misura espressa in millimetri./ Unit of measurement expressed in millimeters.

Codice	Articolo	A	Diam	B	C	D	E	H	Ch
1011	SEB M 5	M5	2,8	4,5	5,5	3,5	4,0	17,0	7,0
1012	SEB 1/8	1/8"	7,0	8,5	10,5	4,5	3,8	21,0	12,0
1013	SEB 1/4	1/4"	9,5	11,0	12,5	6,0	4,5	27,0	15,0
1014	SEB 3/8	3/8"	12,0	14,0	17,0	7,0	5,4	35,0	19,0
1015	SEB 1/2	1/2"	15,5	17,0	20,5	8,0	6,0	41,5	23,0
1016	SEB 3/4	3/4"	19,5	21,0	26,5	9,0	7,5	54,0	30,0
1017	SEB 1	1"	26,0	26,5	33,0	11,0	9,0	66,0	36,0

SEB



Livello di rumore / noise level dB 6 BAR

1/8	1/4	3/8	1/2	3/4	1
79	78	82	85	94	95

Livello di rumore / noise level dB 4 BAR

1/8	1/4	3/8	1/2	3/4	1
76	75	81	84	90	92

Prove di flusso / flow test

