

SIB/A

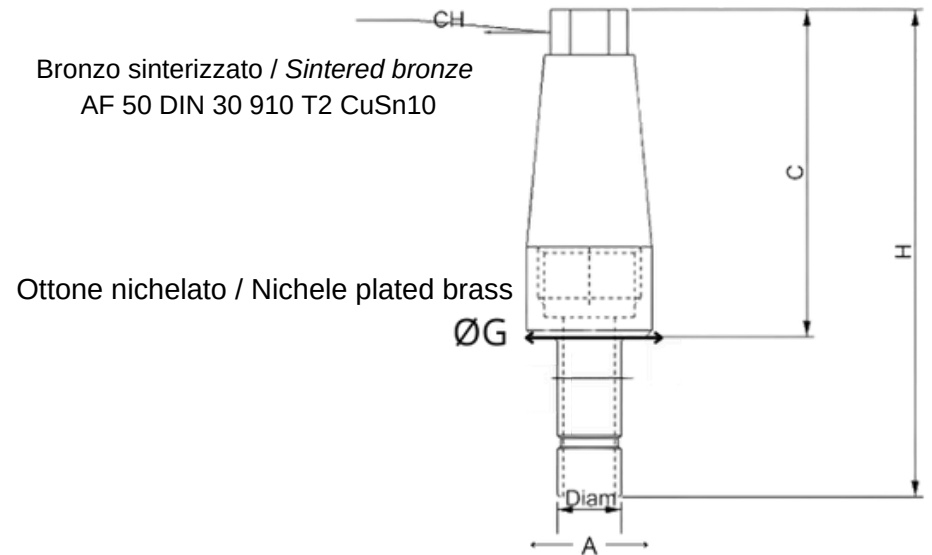
Silenziatore con testa esagonale in bronzo sinterizzato su innesto a baionetta in ottone nichelato.

Silencer with hexagonal spherical sintered bronze on bayonet fitting in nickel plated brass.



CARATTERISTICHE / FEATURES

Fluido: Aria
 Filtrazione: 50
 Pressione d'esercizio: 1 MPa 10 bar
 Temperatura d'esercizio -20 ° C + 150° C
 Tolleranze: ISO 2768 C



Unità di misura espressa in millimetri./ Unit of measurement expressed in millimeters.

Codice	Articolo	A	Diam	CH	C	ØG	H
388	SIB/A	2,7	4,0	8,0	28,9	13,0	45,50
389	SIB/A	4,0	6,0	10,0	33,0	15,0	52,00
390	SIB/A	6,0	8,0	10,0	33,0	15,0	52,70
391	SIB/A	8,0	10,0	13,0	43,0	19,5	68,00
392	SIB/A	10,0	12,0	13,0	43,0	20,0	69,00