

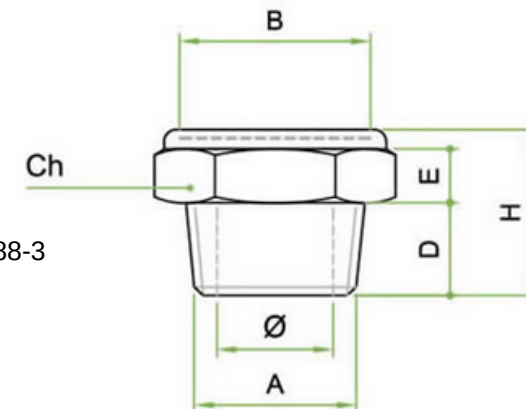
Silenziatore con rete stirata inox AISI 316L ribattuto su base esagonale in acciaio inox AISI 316L Filettatura NPT

Silencer with micro grid of stainless steel AISI 316L - AISI 316L hexagonal base - NPT


CARATTERISTICHE / FEATURES

Fluido: Aria
 Filtrazione: 70
 Pressione d'esercizio: 1 MPa 10 bar
 Temperatura d'esercizio -50 ° C + 400° C
 Tolleranze: ISO 2768 C

Acciaio Inox AISI 316L
 X2CrNiMo17-12-2 UNI EN 10088-3



Unità di misura espressa in millimetri./ Unit of measurement expressed in millimeters.

Codice	Articolo	A	Diam	B	D	E	H	Ch	Flusso dm ³ /sec a 6 bar	Rumore dBA a 6 bar
350	SMEX/N 1/8 NPT	1/8 npt	6,0	9,0	7,0	4,0	14,0	14,0	35	73
351	SMEX/N 1/4 NPT	1/4 npt	8,0	13,0	11,0	4,0	18,0	17,0	54	74
352	SMEX/N 3/8 NPT	3/8 npt	12,0	18,0	11,0	5,0	18,0	22,0	100	86
353	SMEX/N 1/2 NPT	1/2 npt	15,0	22,5	15,0	7,0	25,0	27,0	150	80
354	SMEX/N 3/4 NPT	3/4 npt	20,0	28,0	16,0	9,0	27,0	32,0	280	88
355	SMEX/N 1 NPT	1 npt	26,0	34,0	19,0	11,0	32,0	41,0	420	89