

SREX/N

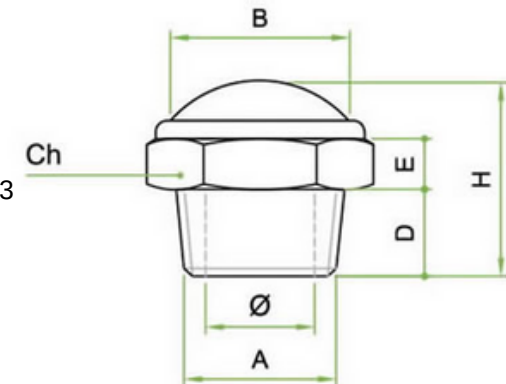
Silenziatore con cupola in filo inox AISI 316L ribattuto su base esagonale in acciaio inox AISI 316L - Filettatura NPT

Silencer-dome stainless steel wire AISI 316L countered on a hexagonal stainless steel AISI 316L - NPT


CARATTERISTICHE / FEATURES

Fluido: Aria
 Filtrazione: 70
 Pressione d'esercizio: 1 MPa 10 bar
 Temperatura d'esercizio -50° C + 400° C
 Tolleranze: ISO 2768 C

Acciaio Inox AISI 316L
 X2CrNiMo17-12-2 UNI EN 10088-3



Unità di misura espressa in millimetri./ Unit of measurement expressed in millimeters.

Codice	Articolo	A	Diam	B	D	E	H	Ch
311	SREX 1/8 NPT	1/8 npt	6,0	9,5	7,0	4,0	16,0	13,0
312	SREX 1/4 NPT	1/4 npt	8,0	11,0	11,0	5,0	21,0	16,0
313	SREX 3/8 NPT	3/8 npt	11,5	14,5	11,0	5,0	23,0	19,0
314	SREX 1/2 NPT	1/2 npt	15,0	19,0	15,0	6,0	27,0	24,0
315	SREX 3/4 NPT	3/4 npt	20,0	24,0	16,0	6,0	32,0	30,0
316	SREX 1 NPT	1 npt	26,0	31,0	19,0	6,0	37,0	36,0
318	SREX 1 1/2 NPT	1 1/2 npt	40,0	40,5	11,6	7,0	30,0	52,0
319	SREX 2" NPT	2" npt	50,0	52,0	20,0	9,0	40,0	65,0

SREX/N

Livello di rumore / noise level dB 6 BAR

1/8	1/4	3/8	1/2	3/4	1
74	72	88	90	90	92

Livello di rumore / noise level dB 4 BAR

1/8	1/4	3/8	1/2	3/4	1
70	69	85	85	86	88


Prove di flusso / flow test
