

SERM

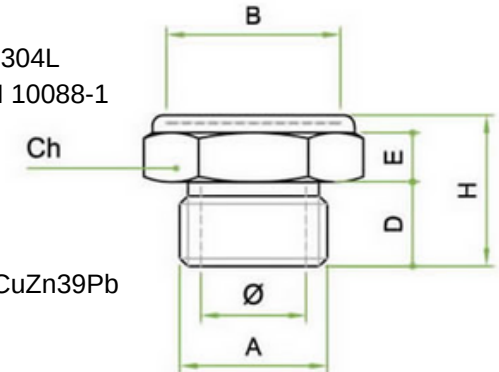
Silenziatore con rete microforata in acciaio inox AISI 304 ribattuta su base esagonale in ottone - Filettatura GAS-BSP
Silencer with micro network in AISI 304 stainless steel riveted on a hexagonal brass - GAS-BSP thread


CARATTERISTICHE / FEATURES

Fluido: Aria
 Filtrazione: 120
 Pressione d'esercizio: 1 MPa 10 bar
 Temperatura d'esercizio -20 ° C + 150° C
 Filettatura: GAS-BSP rif. UNI EN ISO 228-1:2003

Acciaio Inox AISI 304L
 X2CrNi18-11 UNI EN 10088-1

Ottone / Brass
 CW 614 N UNI EN 12164 CuZn39Pb



Unità di misura espressa in millimetri - tolleranze rif. normativa En-22768 ISO-2768-c . Misura ch +0/-0.10 mm

Codice	Articolo	A	Diam	B	D	E	H	Ch
376	SERM 1/8	1/8"	6,0	10,0	6,0	4,0	12,0	13,0
377	SERM 1/4	1/4	8,5	12,0	8,0	5,0	14,0	16,0
378	SERM 3/8	3/8"	11,5	17,0	8,0	5,0	17,0	19,0
379	SERM 1/2	1/2"	15,0	21,0	10,0	6,0	18,0	24,0
380	SERM 3/4	3/4"	20,0	27,0	10,0	6,0	19,0	30,0
381	SERM 1	1"	26,0	34,0	10,0	6,0	20,0	36,0

SCIP N. 073abea9-9ddc-4b5f-a1a4-9d2a8535df4c