

# SIB/A

Silenziatore con testa esagonale in bronzo sferizzato su innesto a baionetta in ottone nichelato.

*Silencer with hexagonal spherical sintered bronze on bayonet fitting in nickel plated brass.*



## CARATTERISTICHE / FEATURES

Fluido: Aria

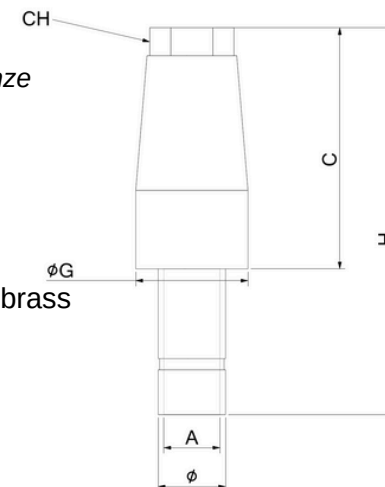
Filtrazione: 50

Pressione d'esercizio: 1 MPa 10 bar

Temperatura d'esercizio -20 ° C + 150° C

Bronzo sinterizzato / Sintered bronze  
AF 50 DIN 30 910 T2 CuSn10

Ottone nichelato / Nickel plated brass



Unità di misura espressa in millimetri - tolleranze rif. normativa En-22768 ISO-2768-c

Codice	Articolo	A	Diam	CH	C	ØG	H
388	SIB/A	2,7	4,0	8,0	28,9	13,0	45,50
389	SIB/A	4,0	6,0	10,0	33,0	15,0	52,00
390	SIB/A	6,0	8,0	10,0	33,0	15,0	52,70
391	SIB/A	8,0	10,0	13,0	43,0	19,5	68,00
392	SIB/A	10,0	12,0	13,0	43,0	20,0	69,00

SCIP N. 122f4271-daac-4694-8d8d-be2e128a99e9