

SREF

Silenziatore con cupola in filo inox AISI 304 ribattuta su base esagonale in ottone filettatura femmina - Filettatura GAS-BSP

Silencer-dome wire AISI 304 stainless riveted on a hexagonal brass female thread - GAS-BSP thread


CARATTERISTICHE / FEATURES

Fluido: Aria

Filtrazione: 70

Pressione d'esercizio: 1 MPa 10 bar

Temperatura d'esercizio -20 ° C + 150° C

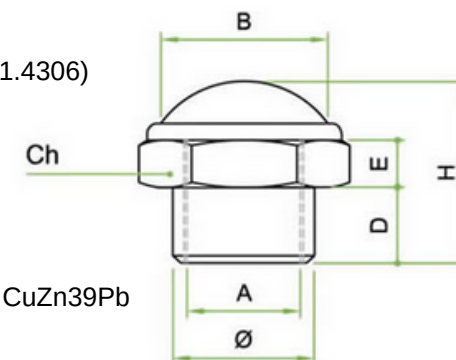
Tolleranze: ISO 2768 C

Acciaio Inox AISI 304L (1.4306)

UNI EN 10204

Ottone / Brass

CW 614 N UNI EN 12164 CuZn39Pb



Unità di misura espressa in millimetri./ Unit of measurement expressed in millimeters.

Codice	Articolo	A	Diam	B	D	E	H	Ch
250	SREF M 5	M5	7,0	5,5	4,0	3,0	8,0	8,0
251	SREF 1/8	1/8"	12,0	9,5	6,0	4,0	15,0	13,0
252	SREF 1/4	1/4"	15,0	11,0	8,0	5,0	18,0	16,0
253	SREF 3/8	3/8"	19,0	14,5	8,0	5,0	20,0	19,0
254	SREF 1/2	1/2"	23,0	19,0	10,0	6,0	22,0	24,0
255	SREF 3/4	3/4"	29,0	24,0	10,0	6,0	26,0	30,0
256	SREF 1	1"	35,0	31,0	10,0	6,0	28,0	36,0

SREF

Livello di rumore / noise level dB 6 BAR

1/8	1/4	3/8	1/2	3/4	1
74	74	88	90	90	92

Livello di rumore / noise level dB 4 BAR

1/8	1/4	3/8	1/2	3/4	1
70	69	85	85	86	88


Prove di flusso / flow test
